

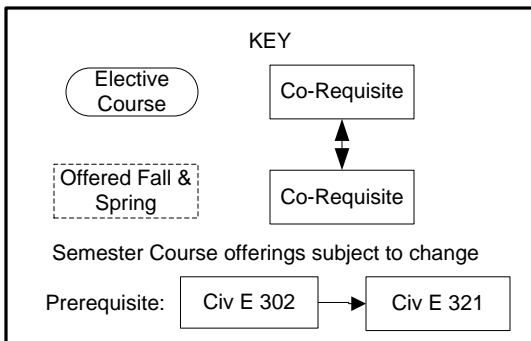
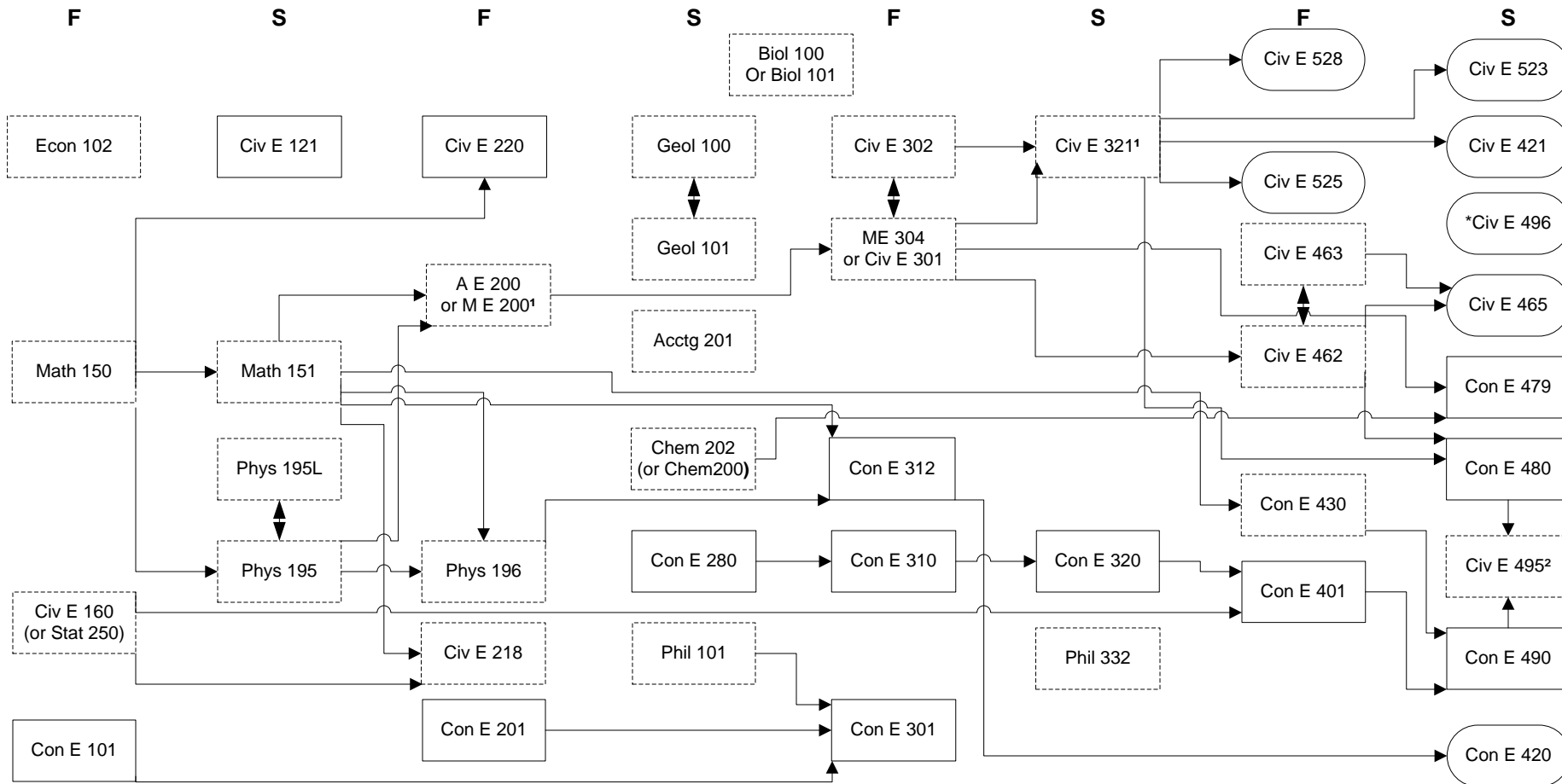
CONSTRUCTION ENGINEERING

2013-2014

Name _____
 Last First MI

Red ID _____

Phone _____ E-mail _____



¹AE 200, ME 200 may be taken concurrently with Math 151

Civ E 321 may be taken concurrently with Civ E 302

²Civ E 495 Capstone should be taken in last semester

*Civ E 496 by approval only. Other courses with design emphasis may be acceptable with advisor approval

Advisor's Signature _____ Date _____

Advisor's Signature _____ Date _____

Advisor's Signature _____ Date _____

Advisor's Signature _____ Date _____

Advisor's Signature _____ Date _____