

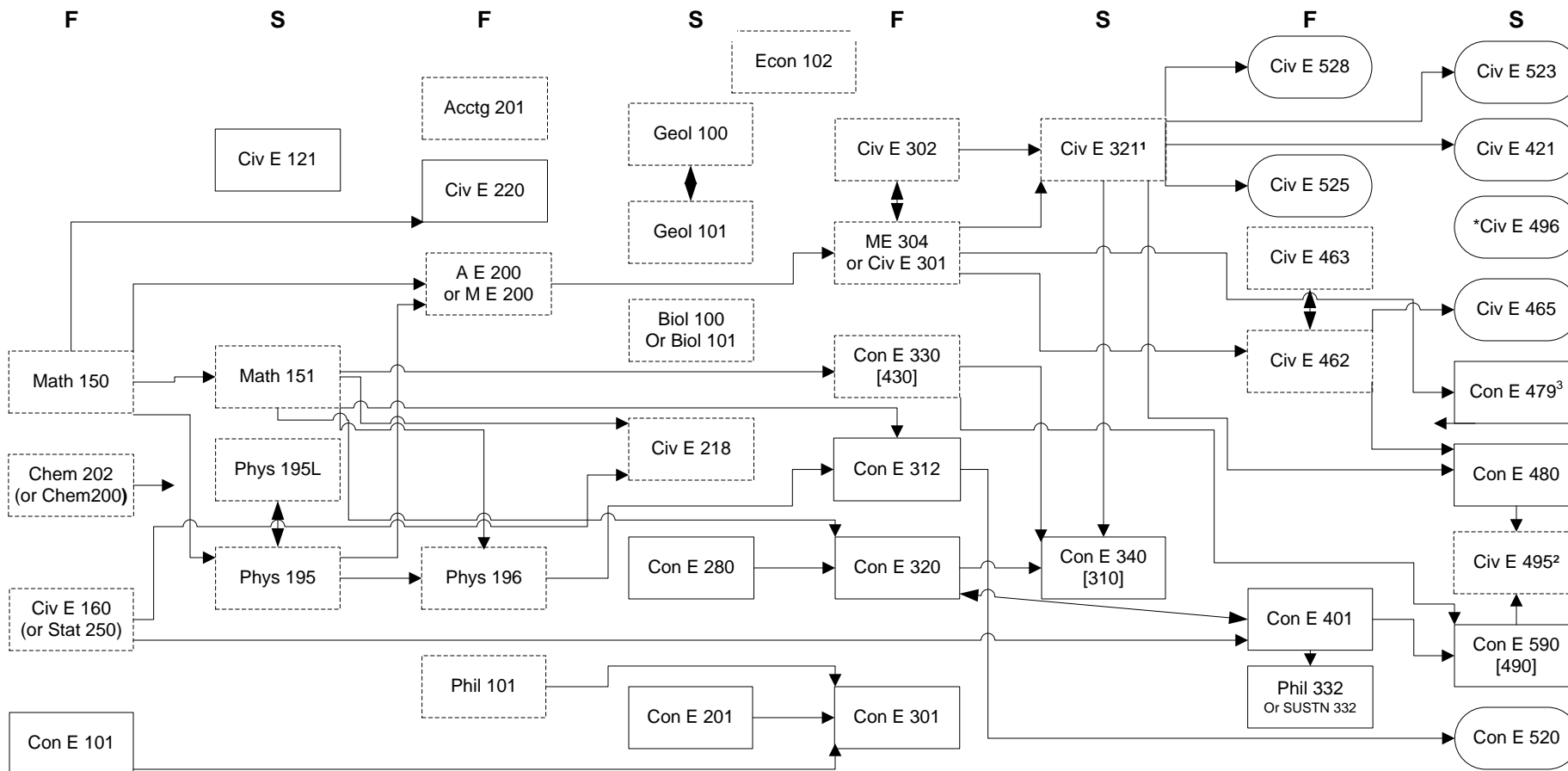
# CONSTRUCTION ENGINEERING

2018-2019

Name \_\_\_\_\_  
Last First MI

Red ID \_\_\_\_\_

Phone \_\_\_\_\_ E-mail \_\_\_\_\_



**Please check catalog to confirm course requirements and prerequisites.**

<sup>1</sup> Civ E 321 may be taken concurrently with Civ E 302.

<sup>2</sup>Civ E 495 Capstone should be taken in last semester. See catalog for prerequisites.

<sup>3</sup>Chem 202 or 200 is a prerequisite for CONE 479.

\*Civ E 496 by approval only. Other courses with design emphasis may be acceptable with advisor approval.

**KEY**

Elective Course  
Choose 1 Elective

Co-Requisite  
 ⇕  
 Co-Requisite

Offered Fall & Spring\*

\*Semester Course offerings subject to change\*

Prerequisite: Civ E 302 → Civ E 321

Advisor's Signature \_\_\_\_\_ Date \_\_\_\_\_

Advisor's Signature \_\_\_\_\_ Date \_\_\_\_\_

Advisor's Signature \_\_\_\_\_ Date \_\_\_\_\_

Advisor's Signature \_\_\_\_\_ Date \_\_\_\_\_

Advisor's Signature \_\_\_\_\_ Date \_\_\_\_\_