

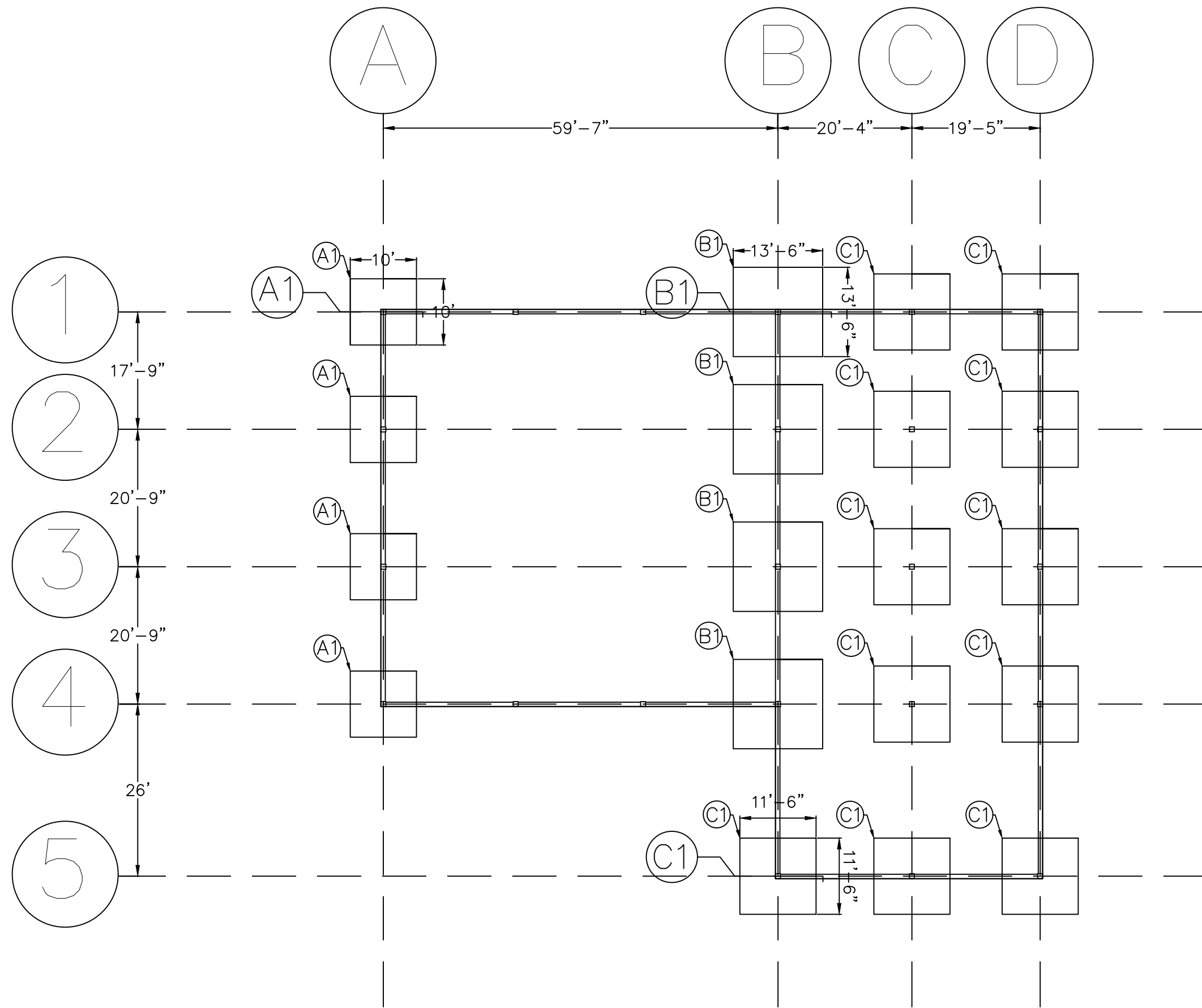
- NOTES:
1. COLUMN, SEE DETAIL 5 DRAWING NO. S-8 FOR MATERIALS
  2. COLUMN, SEE DETAIL 6 DRAWING NO. S-8 FOR MATERIALS
  3. COLUMN, SEE DETAIL 7 DRAWING NO. S-8 FOR MATERIALS
  4. COLUMN, SEE DETAIL 8 DRAWING NO. S-8 FOR MATERIALS
  5. MASONRY SHEAR WALL, SEE DETAIL 2 DRAWING NO. S-9 FOR MATERIALS

**BUILDING SHELL PLAN**

**A & B**  
**S-4**

D:\CME\65 STRUCTURAL PLANS 4.0.dwg 04/24/2020 13:39

NO.	DESCRIPTION	DATE	APPROVED	SCALE	<b>Prestige Worldwide Engineering</b> <small>Precision • Innovation • Quality</small> 5500 Campanile Dr San Diego, California 92182 T 619.594.5200 F 619.594.5200 www.sdsu.edu	<b>The City of SAN DIEGO</b> 9573 CHESAPEAKE DR SAN DIEGO, CA 92123	<b>UCSD - CITY SD FIRE STATION PROJECT</b>  <b>BUILDING SHELL PLAN</b>	DRAWING NO.	<b>S-1</b>	
				DATE				03/16/2020	SHEET NO.	387 OF 387
				PROJECT NO.				1	CLIENT JOB NO.	1
				DESIGNED BY						
				DRAWN BY						
				CHECKED BY		APPROVED BY:	DATE			
				DATE	03/16/2020	JOSEPH HORSEY PROJECT MANAGER	DATE			




D:\New foundation.dwg 04/24/2020 13:28

NO.	DESCRIPTION	DATE	APPROVED	SCALE
				DATE
				03/16/2020
				PROJECT NO.
				1
				DESIGNED BY
				DRAWN BY
				CHECKED BY

  
**Prestige Worldwide Engineering**  
Precision • Excellence • Quality  
 5500 Campanile Dr  
 San Diego, California 92182  
 T 619.594.5200 F 619.594.5200  
 www.sdsu.edu

03/16/2020  
DATE

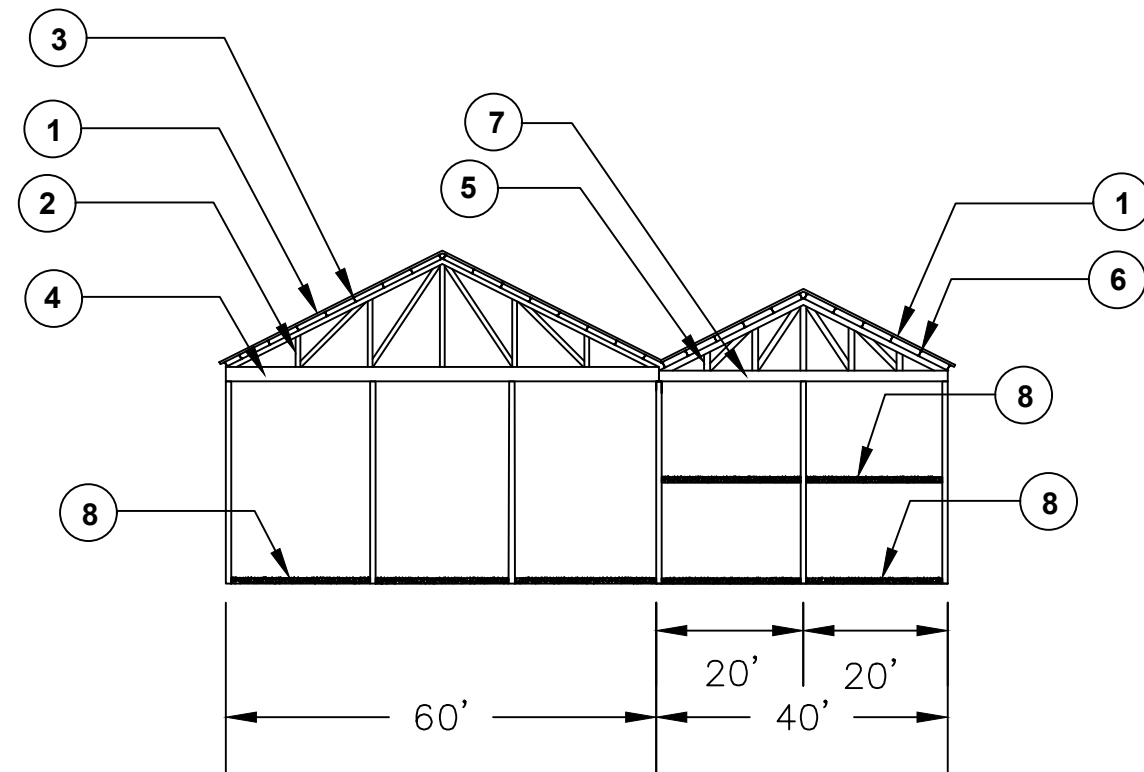
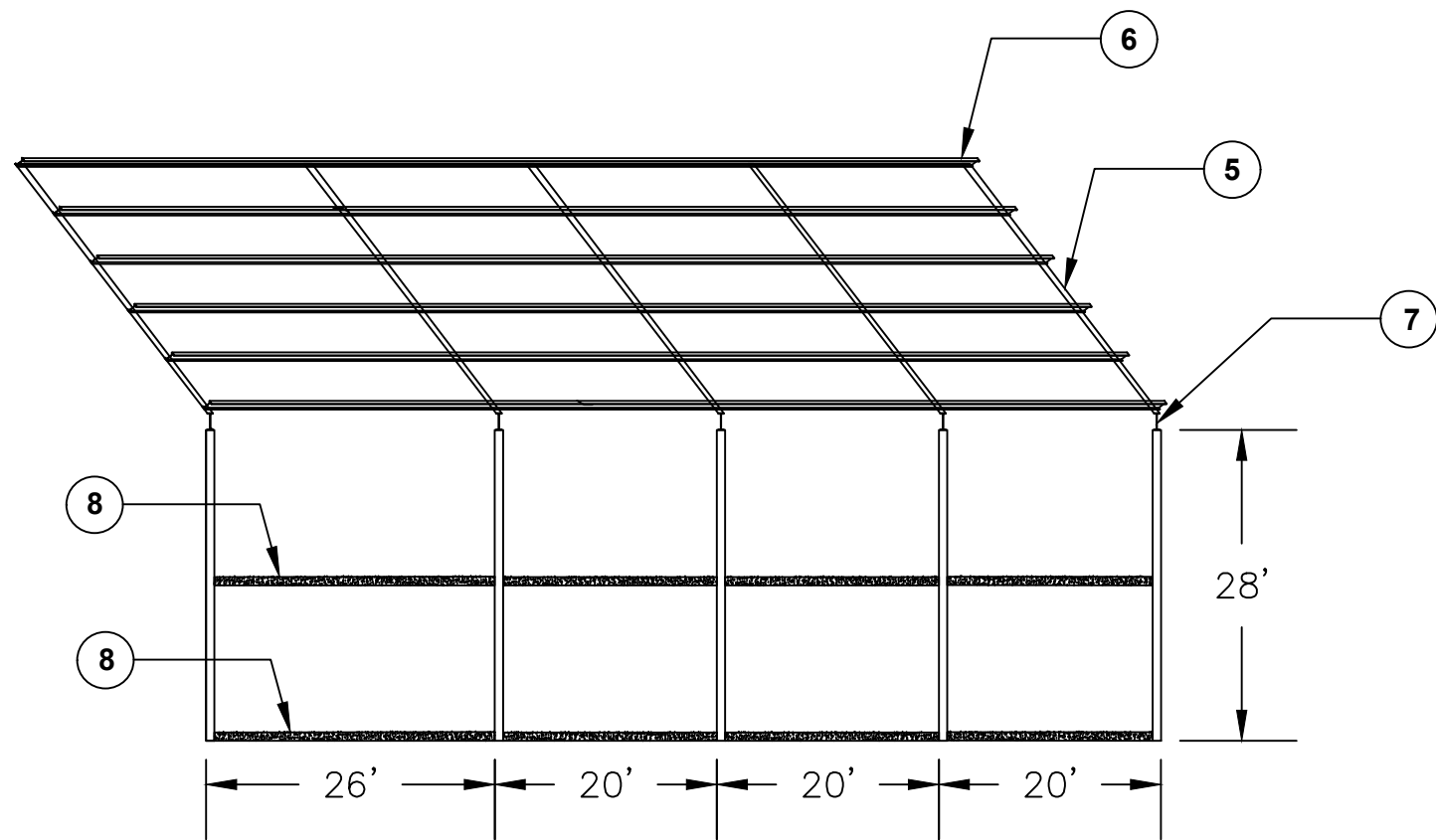
  
 9573 CHESAPEAKE DR  
 SAN DIEGO, CA 92123

**APPROVED BY:** \_\_\_\_\_  
DATE

JOSEPH HORSEY  
 PROJECT MANAGER

**UCSD - CITY SD FIRE STATION PROJECT**  
**FOUNDATION PLAN**

DRAWING NO.	S-2
SHEET NO.	OF
CLIENT JOB NO.	1



NOTES:


1. ROOF DECK, 4 IN. PRECAST CONCRETE.
2. TRUSSES, SEE DETAIL 2 DRAWING NO. S-6 FOR MATERIALS SPECIFICATIONS.
3. PURLINS, SEE DETAIL 2 DRAWING NO. S-6 FOR MATERIALS SPECIFICATIONS.
4. BEAM, SEE DETAIL 1 DRAWING NO. S-6 FOR MATERIALS SPECIFICATIONS.
5. TRUSSES, SEE DETAIL 4 DRAWING NO. S-7 FOR MATERIALS SPECIFICATIONS.
6. PURLINS, SEE DETAIL 4 DRAWING NO. S-7 FOR MATERIALS SPECIFICATIONS.
7. BEAM, SEE DETAIL 3 DRAWING NO. S-7 FOR MATERIALS SPECIFICATIONS.
8. SLABS, SEE DETAIL 9 DRAWING NO. S-9 FOR MATERIALS SPECIFICATIONS.

D:\CME495 STRUCTURAL PLANS 4.0.dwg 04/24/2020 13:40

NO.	DESCRIPTION	DATE	APPROVED	SCALE
				DATE
				03/16/2020
				PROJECT NO.
				1
				DESIGNED BY
				DRAWN BY
				CHECKED BY

  
**Prestige Worldwide Engineering**  
Precision. Excellence. Quality.  
 5500 Campanile Dr  
 San Diego, California 92182  
 T 619.594.5200 F 619.594.5200  
 www.sdsu.edu

03/16/2020  
DATE

  
**The City of SAN DIEGO**  
San Diego, CA 92123

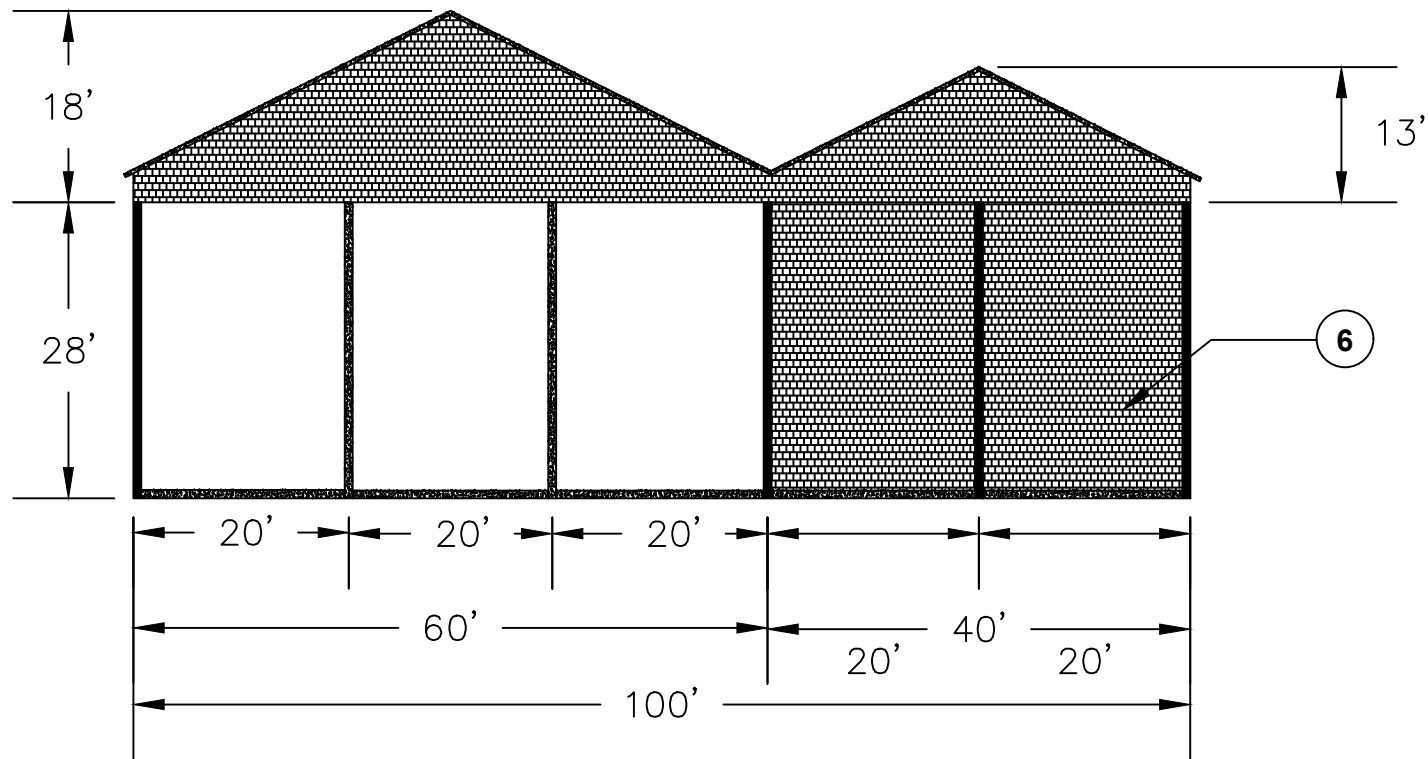
**APPROVED BY:** \_\_\_\_\_  
DATE

JOSEPH HORSEY  
PROJECT MANAGER

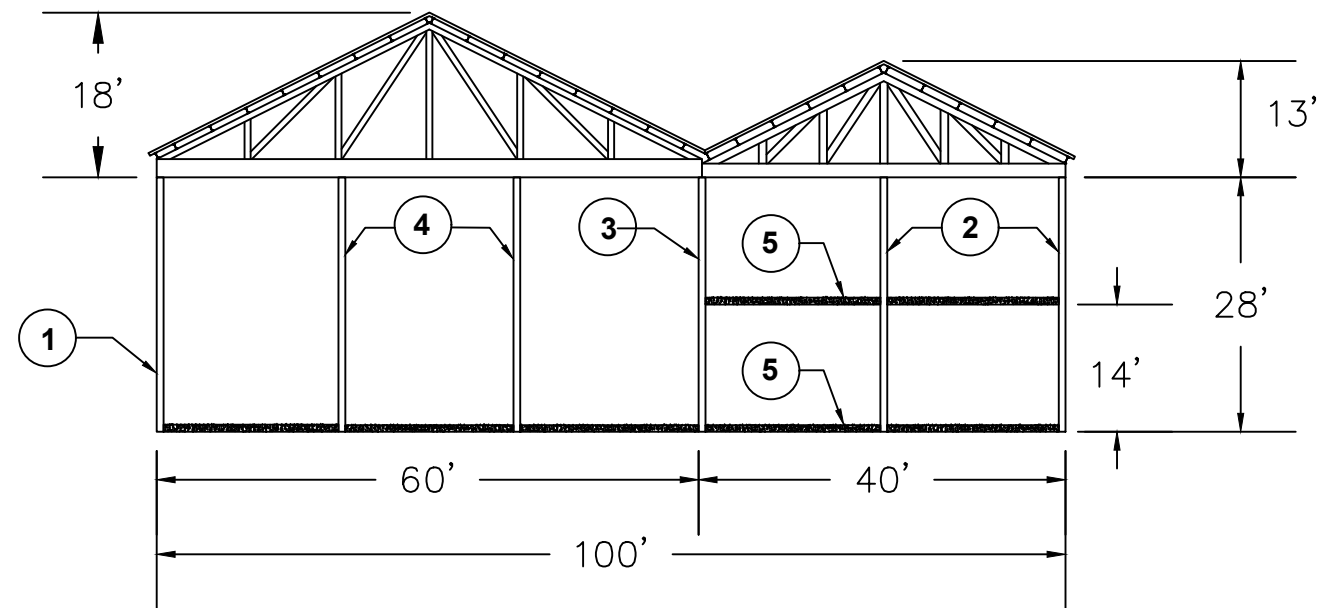
**UCSD - CITY SD FIRE STATION  
 PROJECT**

**BUILDING SHELL DETAILS**

DRAWING NO.	<b>S-3</b>
SHEET NO.	<b>387</b> OF <b>387</b>
CLIENT JOB NO.	<b>1</b>



SECTION: A, BUILDING SHELL FRONT VIEW A



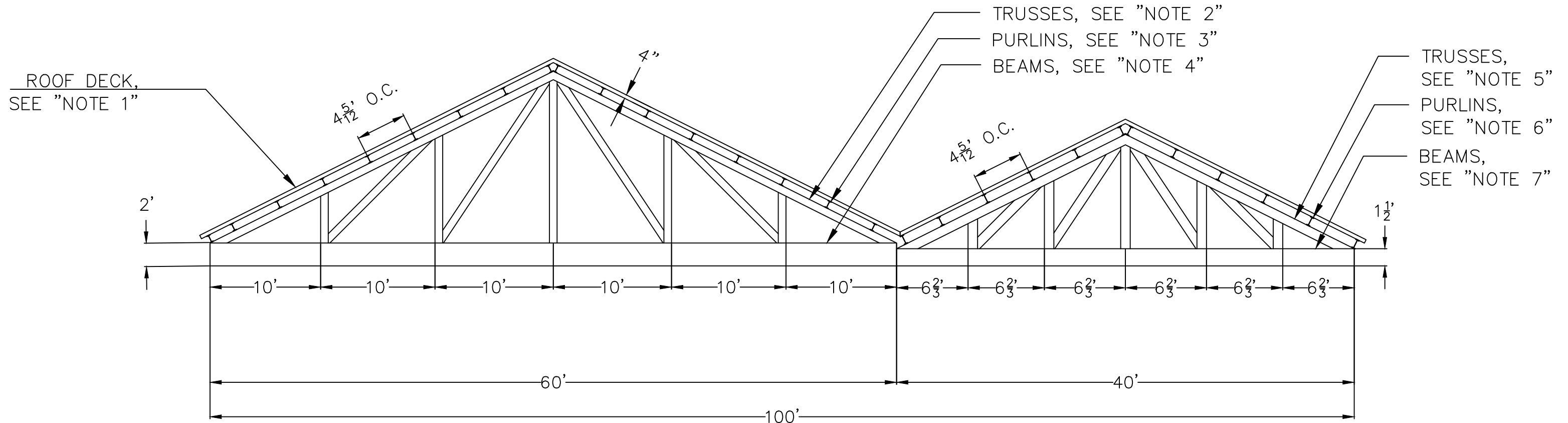
SECTION: B, BUILDING SHELL FRONT VIEW B

**NOTES:**

1. COLUMN, SEE DETAIL 5 DRAWING NO. S-8 FOR MATERIALS SPECIFICATIONS.
2. COLUMN, SEE DETAIL 6 DRAWING NO. S-8 OR MATERIALS SPECIFICATIONS.
3. COLUMN, SEE DETAIL 7 DRAWING NO. S-8 OR MATERIALS SPECIFICATIONS.
4. COLUMN, SEE DETAIL 8 DRAWING NO. S-8 OR MATERIALS SPECIFICATIONS.
5. SLABS, SEE DETAIL 9 DRAWING NO. S-9 FOR MATERIALS SPECIFICATIONS.
6. MASONRY SHEAR WALL, SEE DETAIL 10 DRAWING NO. S-9 FOR MATERIALS SPECIFICATIONS.

D:\CME495 STRUCTURAL PLANS 4.0.dwg 04/24/2020 13:40



NO.	DESCRIPTION	DATE	APPROVED	SCALE	5500 Campanile Dr San Diego, California 92182 T 619.594.5200 F 619.594.5200 www.sdsu.edu	9573 CHESAPEAKE DR SAN DIEGO, CA 92123	<b>UCSD - CITY SD FIRE STATION PROJECT</b>	DRAWING NO.	S-4		
				DATE				03/16/2020		SHEET NO.	387 OF 387
				PROJECT NO.				1		CLIENT JOB NO.	1
				DESIGNED BY							
				DRAWN BY							
				CHECKED BY							
					03/16/2020 DATE	APPROVED BY:  JOSEPH HORSEY PROJECT MANAGER	DATE	<b>BUILDING SHELL SECTION A AND B</b>			

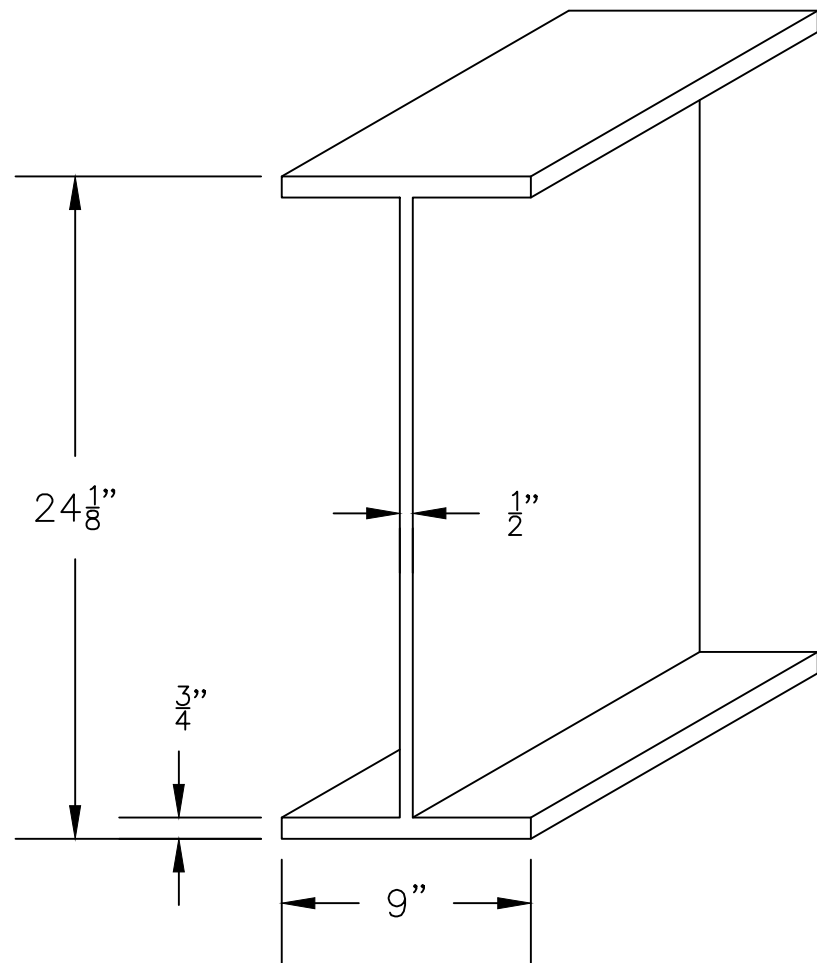


**NOTES:**

1. ROOF DECK, 4 IN. PRECAST CONCRETE.
2. TRUSSES, SEE DETAIL 2 DRAWING NO. S-6 FOR MATERIALS SPECIFICATIONS.
3. PURLINS, SEE DETAIL 2 DRAWING NO. S-6 FOR MATERIALS SPECIFICATIONS.
4. BEAM, SEE DETAIL 1 DRAWING NO. S-6 FOR MATERIALS SPECIFICATIONS.
5. TRUSSES, SEE DETAIL 4 DRAWING NO. S-7 FOR MATERIALS SPECIFICATIONS.
6. PURLINS, SEE DETAIL 4 DRAWING NO. S-7 FOR MATERIALS SPECIFICATIONS.
7. BEAM, SEE DETAIL 3 DRAWING NO. S-7 FOR MATERIALS SPECIFICATIONS.

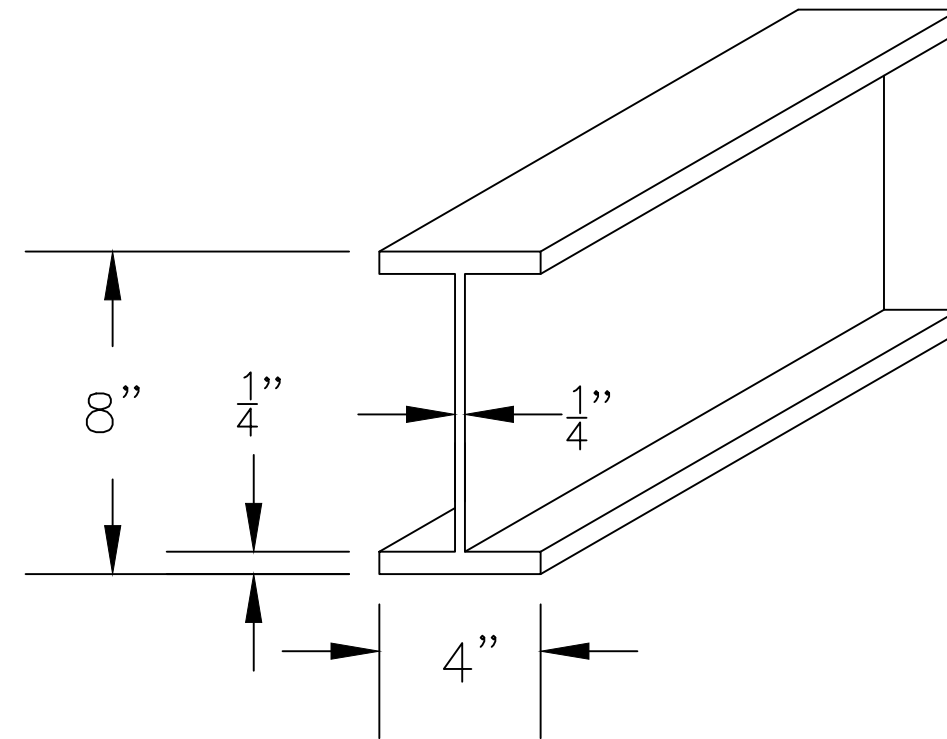
D:\CME495 STRUCTURAL PLANS 4.0.dwg 04/24/2020 13:40

NO.	DESCRIPTION	DATE	APPROVED	SCALE			9573 CHESAPEAKE DR SAN DIEGO, CA 92123	<b>UCSD - CITY SD FIRE STATION PROJECT</b>	DRAWING NO.
				DATE					03/16/2020
				PROJECT NO.	5500 Campanile Dr San Diego, California 92182 T 619.594.5200 F 619.594.5200 www.sdsu.edu	<b>APPROVED BY:</b>  JOSEPH HORSEY PROJECT MANAGER		<b>ROOF DETAIL</b>	SHEET NO.
			1	387 OF 387					
				DESIGNED BY	03/16/2020 DATE				CLIENT JOB NO.
				DRAWN BY					1
				CHECKED BY					



**DETAIL: 1, APPARATUS BAY BEAMS**  
**MATERIAL: W24X84**



1  
-

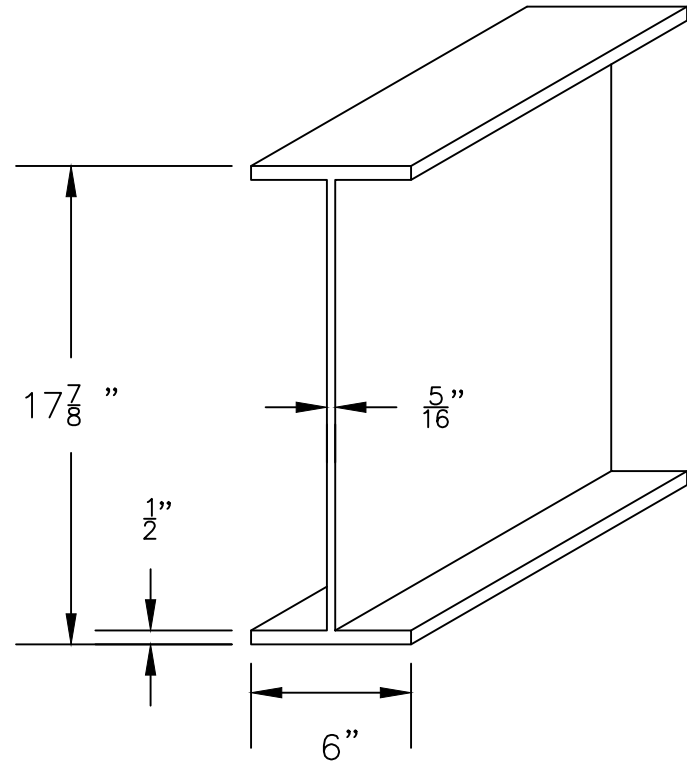


**DETAIL: 2, APPARATUS BAY PURLINS AND TRUSSES**  
**MATERIAL: W8X13**

2  
-

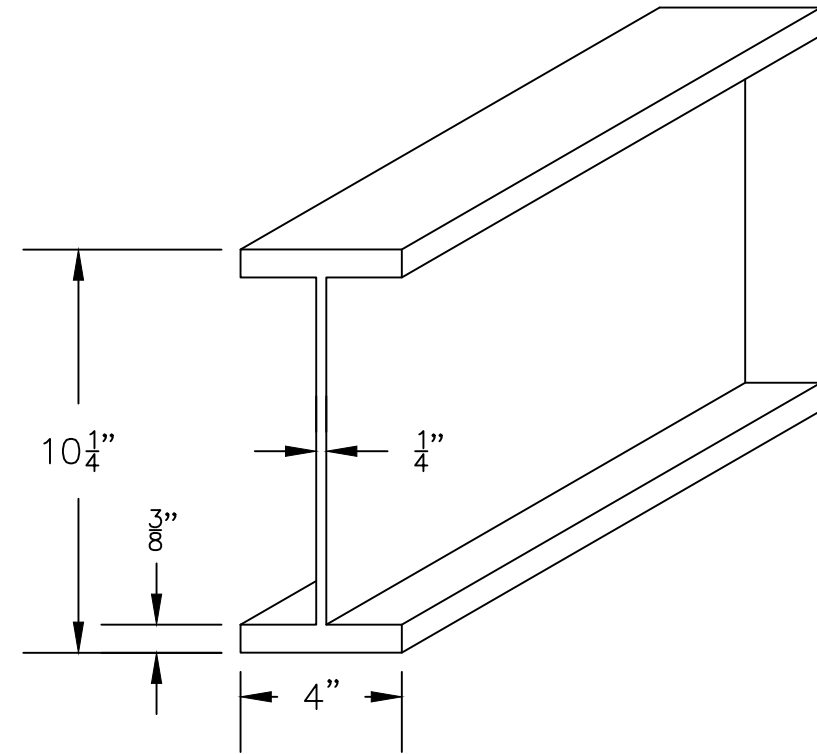
D:\CME695 STRUCTURAL PLANS 4.0.dwg 04/24/2020 13:40

NO.	DESCRIPTION	DATE	APPROVED	SCALE	 5500 Campanile Dr San Diego, California 92182 T 619.594.5200 F 619.594.5200 www.sdsu.edu	 9573 CHESAPEAKE DR SAN DIEGO, CA 92123	UCSD - CITY SD FIRE STATION PROJECT APPARATUS BAY BEAMS, PURLINS, AND TRUSSES DETAILS	DRAWING NO.		
				DATE				03/16/2020		S-6
				PROJECT NO.				1		SHEET NO.
				DESIGNED BY						387 OF 387
				DRAWN BY		APPROVED BY:	CLIENT JOB NO.			
				CHECKED BY		JOSEPH HORSEY PROJECT MANAGER	1			
				DATE	03/16/2020	DATE				



**DETAIL: 3, LIVING QUARTER BEAMS**  
**MATERIAL: W18X40**



3  
-

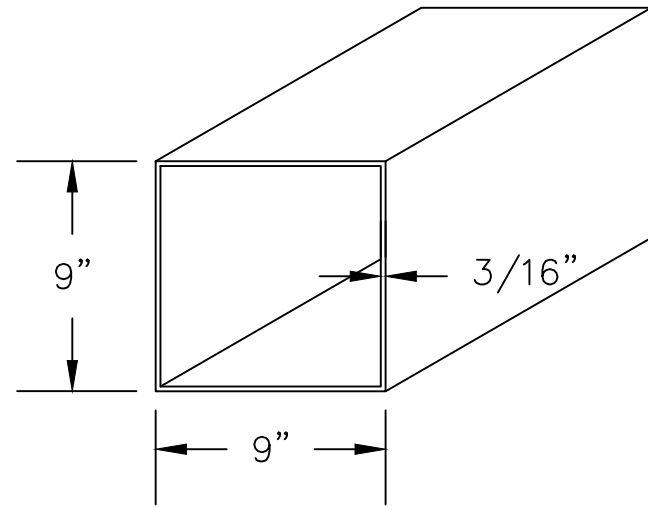


**DETAIL: 4, LIVING QUARTER PURLINS AND TRUSSES**  
**MATERIAL: W10X19**

4  
-

D:\CME695 STRUCTURAL PLANS 4.0.dwg 04/24/2020 13:40

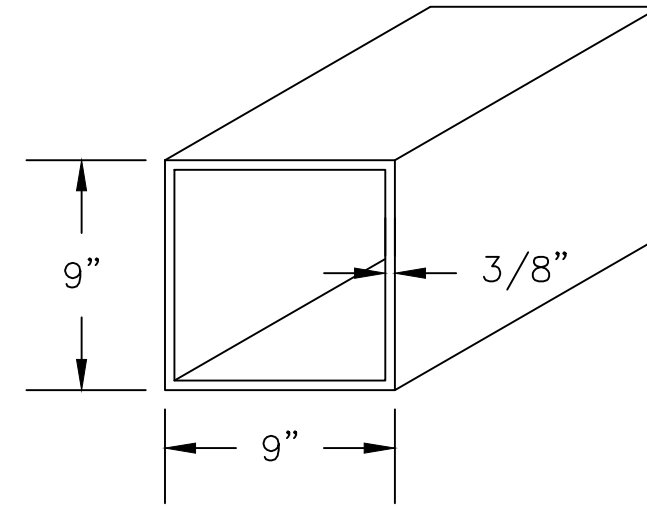
NO.	DESCRIPTION	DATE	APPROVED	SCALE	 5500 Campanile Dr San Diego, California 92182 T 619.594.5200 F 619.594.5200 www.sdsu.edu	 9573 CHESAPEAKE DR SAN DIEGO, CA 92123	<b>UCSD - CITY SD FIRE STATION PROJECT</b> <b>LIVING QUARTER BEAMS, PURLINS, AND TRUSSES DETAILS</b>	DRAWING NO.	S-7		
				DATE				03/16/2020		SHEET NO.	387 OF 387
				PROJECT NO.				1		CLIENT JOB NO.	1
				DESIGNED BY							
				DRAWN BY							
				CHECKED BY							
					03/16/2020 DATE						
						APPROVED BY:					
						JOSEPH HORSEY PROJECT MANAGER					
						DATE					



**DETAIL: 5, COLUMN SECTION**

5  
-

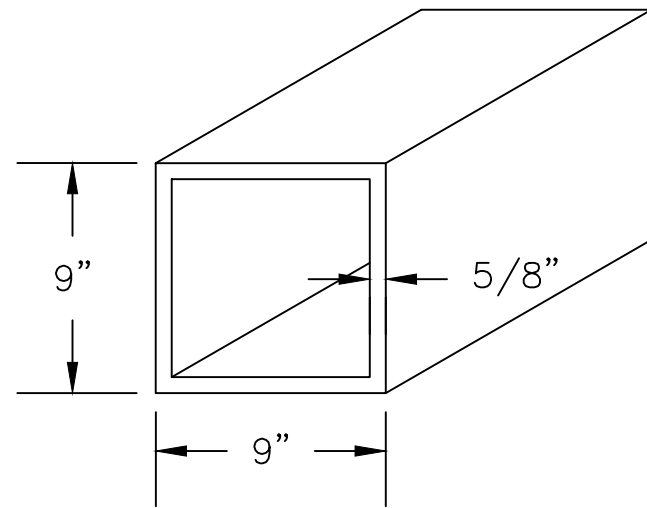
**MATERIAL: STEEL HSS9X9X $\frac{3}{16}$**



**DETAIL: 6, COLUMN SECTION**

6  
-

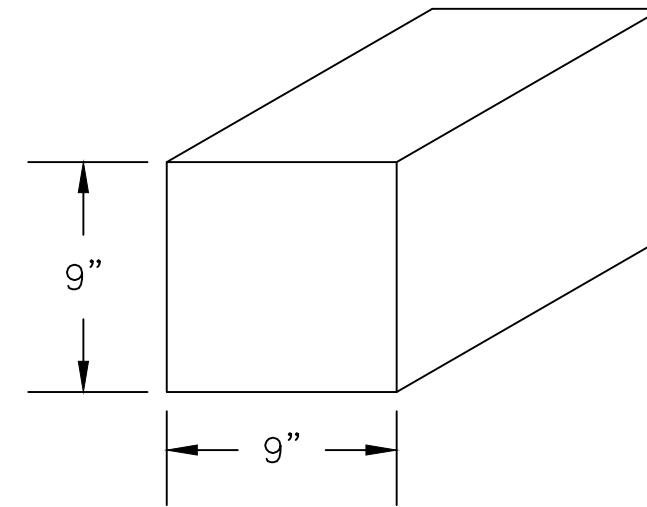
**MATERIAL: STEEL HSS9X9X $\frac{3}{8}$**



**DETAIL: 7, COLUMN SECTION**

7  
-

**MATERIAL: STEEL HSS9X9X $\frac{5}{8}$**





**DETAIL: 8, COLUMN SECTION**

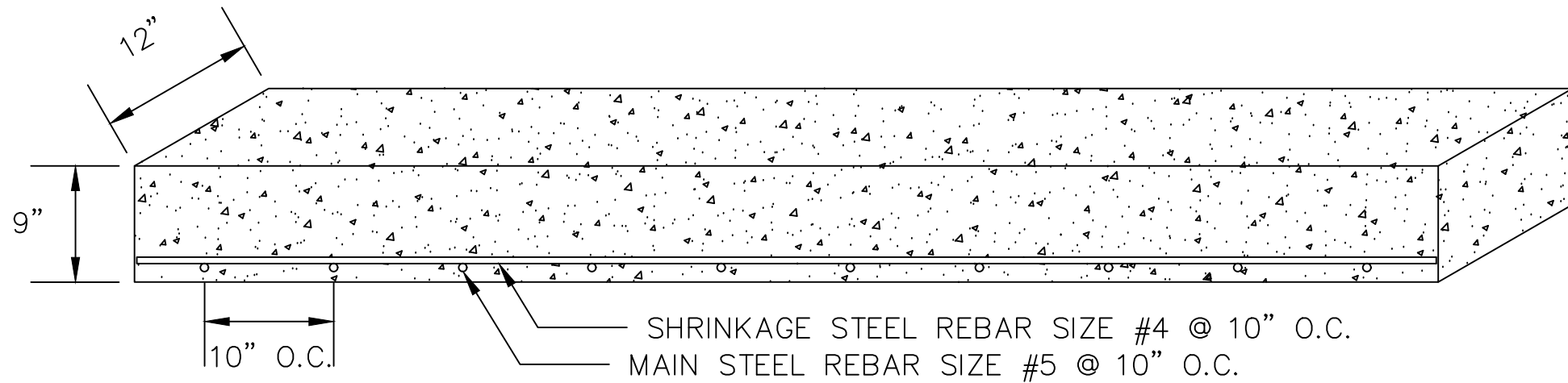
8  
-

**MATERIAL: CONCRETE**

D:\CME465 STRUCTURAL PLANS 4.0.dwg 04/24/2020 13:41

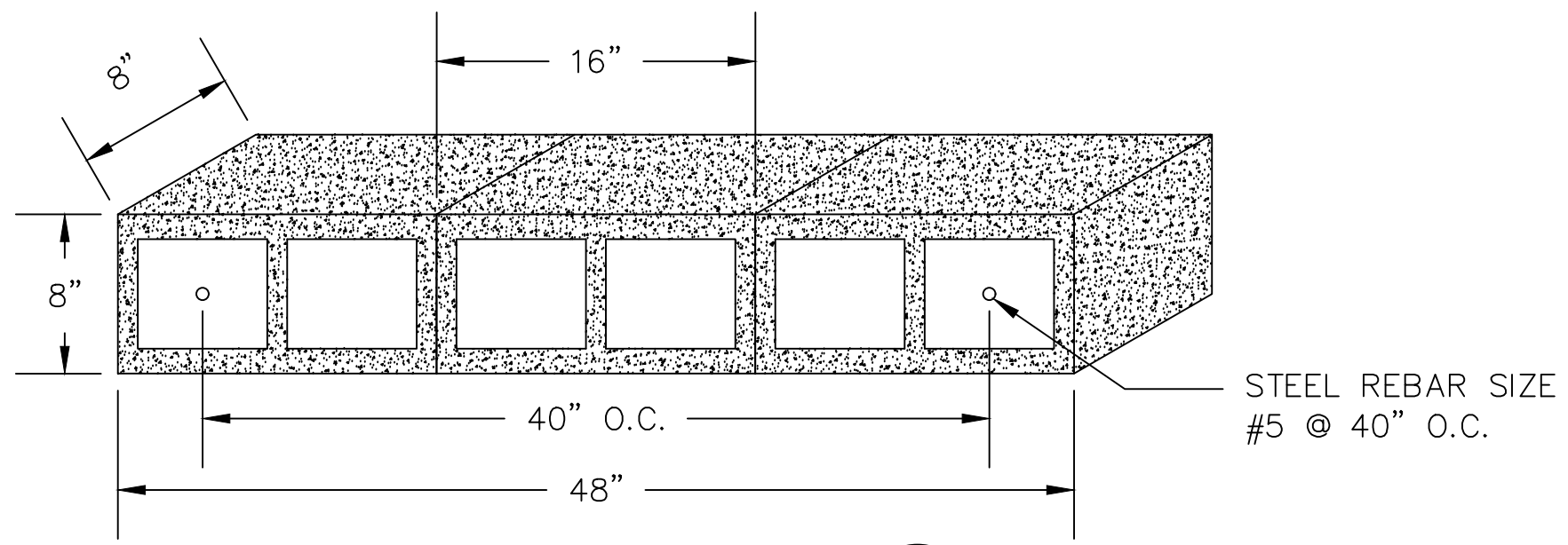
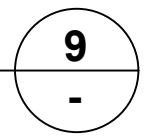
NO.	DESCRIPTION	DATE	APPROVED	SCALE	 5500 Campanile Dr San Diego, California 92182 T 619.594.5200 F 619.594.5200 www.sdsu.edu	 9573 CHESAPEAKE DR SAN DIEGO, CA 92123	<b>UCSD - CITY SD FIRE STATION PROJECT</b>	DRAWING NO. <b>S-8</b>
				DATE 03/16/2020				PROJECT NO. 1
				DESIGNED BY	03/16/2020		<b>COLUMNS DETAILS</b>	
				DRAWN BY	DATE			
				CHECKED BY				





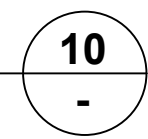
**DETAIL: 9, SLAB**

**MATERIAL: REINFORCED CONCRETE**



**DETAIL: 10, MASONRY SHEAR WALL**

**MATERIAL: REINFORCED CONCRETE**




D:\CWE695 STRUCTURAL PLANS 4.0.dwg 04/24/2020 13:41

NO.	DESCRIPTION	DATE	APPROVED	SCALE
				DATE
				03/16/2020
				PROJECT NO.
				1
				DESIGNED BY
				DRAWN BY
				CHECKED BY


  
 5500 Campanile Dr  
 San Diego, California 92182  
 T 619.594.5200 F 619.594.5200  
 www.sdsu.edu

03/16/2020  
 DATE


  
 9573 CHESAPEAKE DR  
 SAN DIEGO, CA 92123

APPROVED BY:

JOSEPH HORSEY  
 PROJECT MANAGER

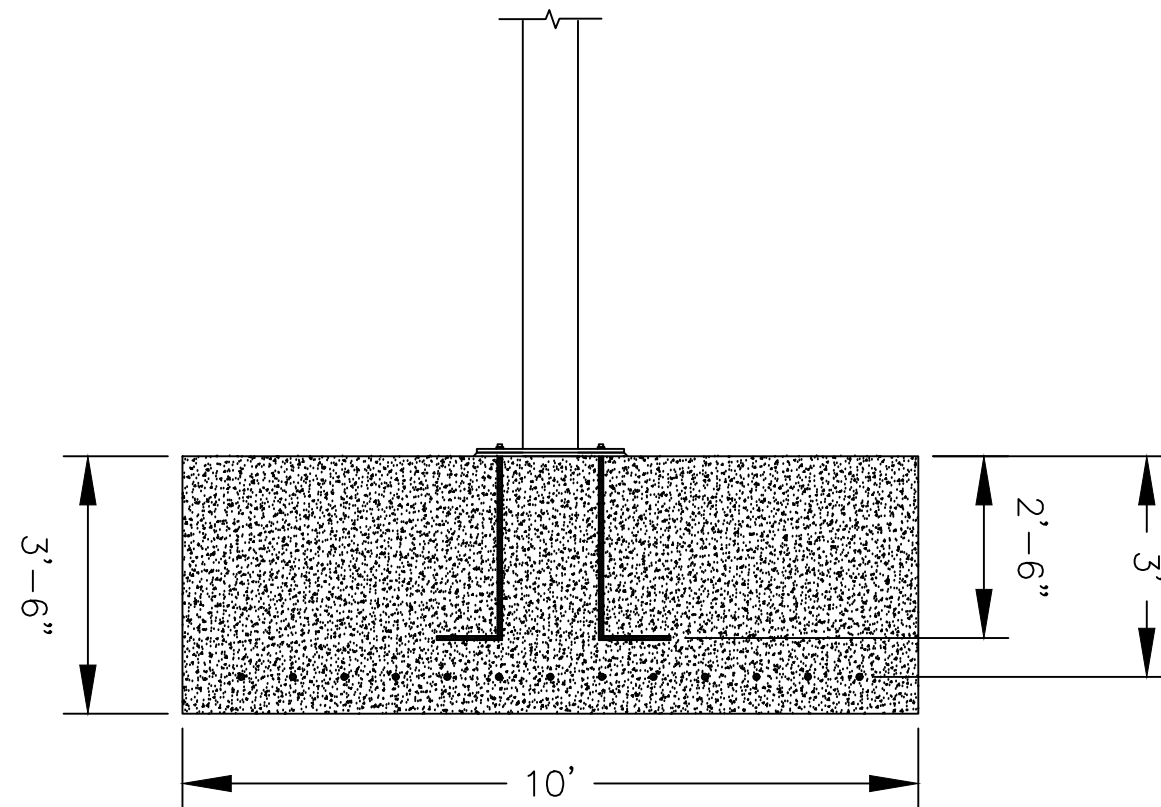
DATE

**UCSD - CITY SD FIRE STATION  
 PROJECT**

**SLAB AND MASONRY SHEAR WALL DETAILS**

DRAWING NO.	S-9
SHEET NO.	387 OF 387
CLIENT JOB NO.	1

# Section Detail A1




D:\New foundation 2.dwg 04/24/2020 13:32

NO.	DESCRIPTION	DATE	APPROVED	SCALE
				DATE 03/16/2020
				PROJECT NO. 1
				DESIGNED BY
				DRAWN BY
				CHECKED BY

  
**Prestige Worldwide Engineering**  
Precision • Excellence • Quality  
 5500 Campanile Dr  
 San Diego, California 92182  
 T 619.594.5200 F 619.594.5200  
 www.sdsu.edu

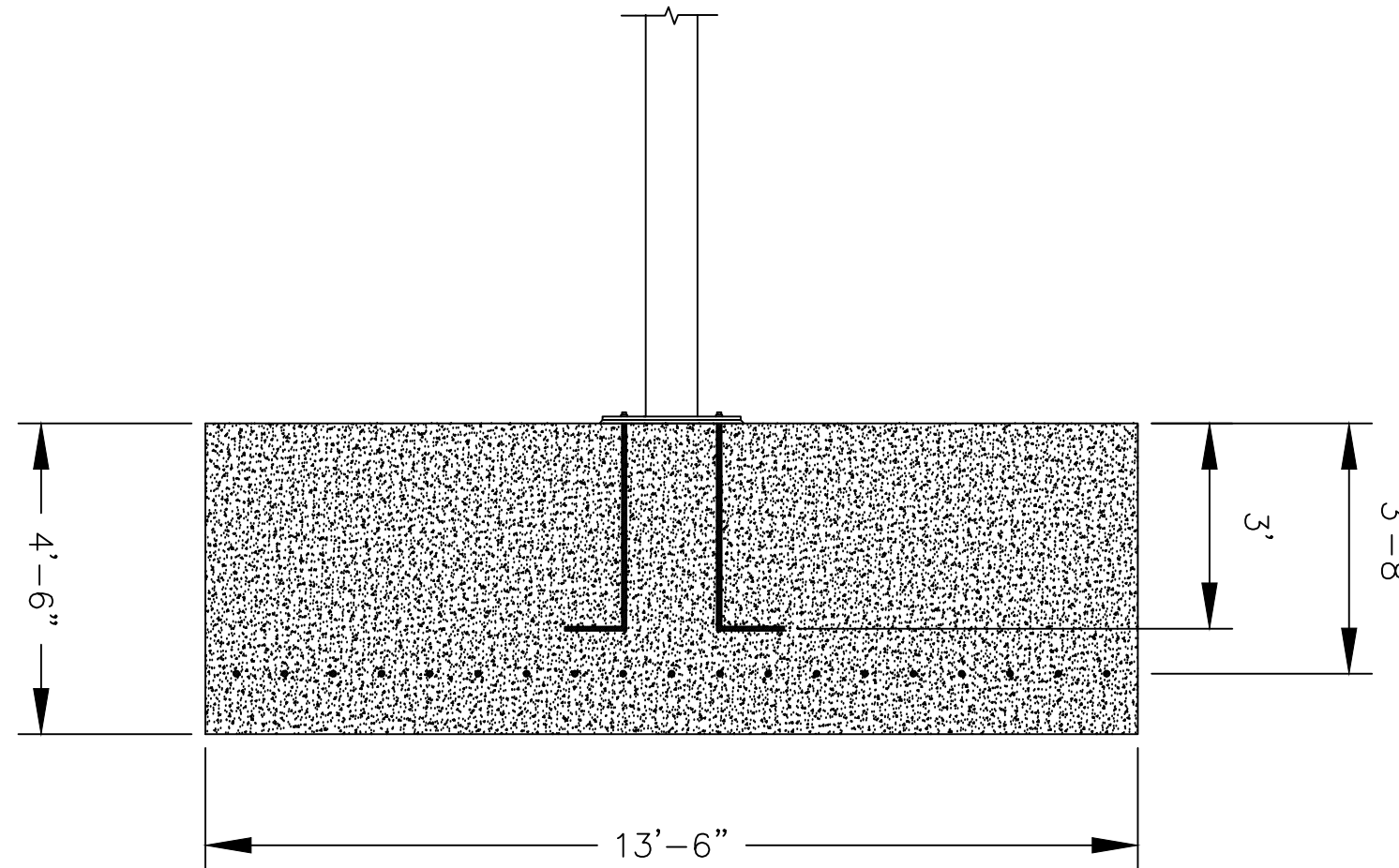
03/16/2020  
DATE

  
 9573 CHESAPEAKE DR  
 SAN DIEGO, CA 92123  
 APPROVED BY:  
 JOSEPH HORSEY  
 PROJECT MANAGER



**UCSD - CITY SD FIRE STATION  
 PROJECT**  
**FOUNDATION DETAIL A1**

DRAWING NO.  
**S-10**  
 SHEET NO.  
 OF  
 CLIENT JOB NO.  
**1**

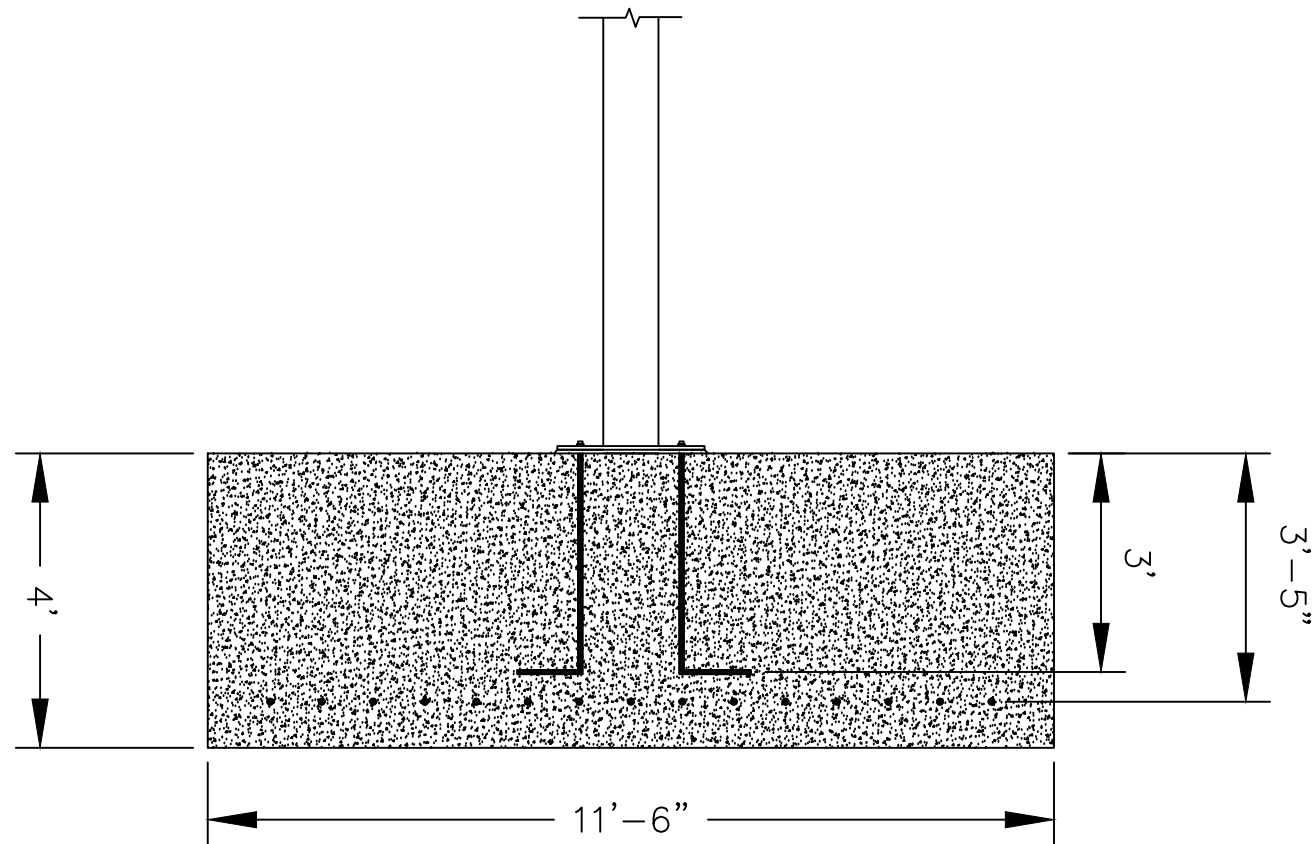
# SectionDetail B1



D:\New foundation 2.dwg 04/24/2020 13:32

NO.	DESCRIPTION	DATE	APPROVED	SCALE	 5500 Campanile Dr San Diego, California 92182 T 619.594.5200 F 619.594.5200 www.sdsu.edu	 9573 CHESAPEAKE DR SAN DIEGO, CA 92123	UCSD - CITY SD FIRE STATION PROJECT	DRAWING NO.
				DATE				03/16/2020
				PROJECT NO.	03/16/2020 DATE	JOSEPH HORSEY PROJECT MANAGER	FOUNDATION DETAIL B1	SHEET NO.
				DESIGNED BY				DATE
				DRAWN BY				1
				CHECKED BY				

# Section Detail C1




D:\New foundation 2.dwg 04/24/2020 13:32

NO.	DESCRIPTION	DATE	APPROVED	SCALE
				DATE
				03/16/2020
				PROJECT NO.
				1
				DESIGNED BY
				DRAWN BY
				CHECKED BY

  
**Prestige Worldwide Engineering**  
Precision • Excellence • Quality  
 5500 Campanile Dr  
 San Diego, California 92182  
 T 619.594.5200 F 619.594.5200  
 www.sdsu.edu

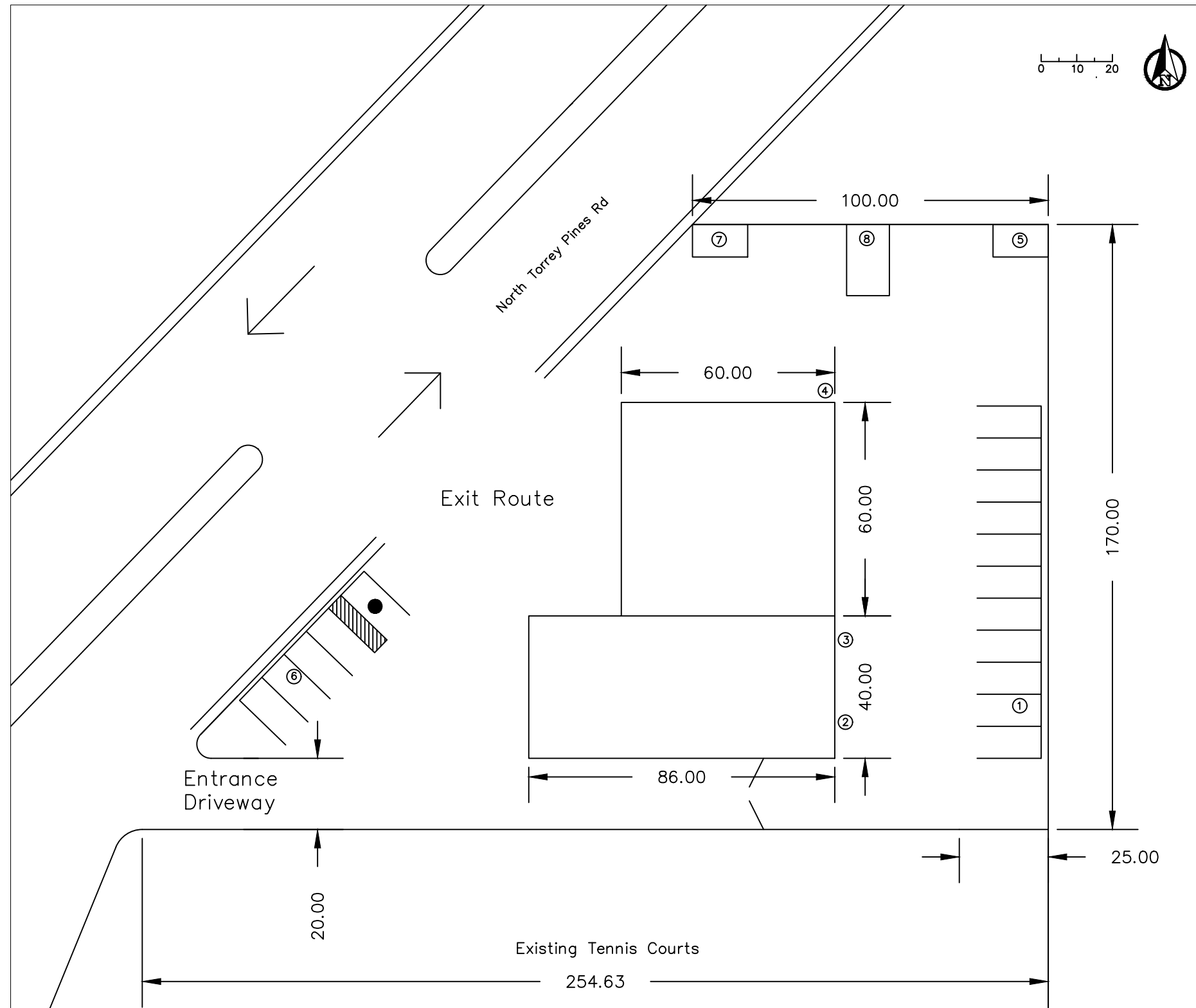
03/16/2020  
DATE

  
 9573 CHESAPEAKE DR  
 SAN DIEGO, CA 92123  
 APPROVED BY:  
 JOSEPH HORSEY  
 PROJECT MANAGER

**UCSD - CITY SD FIRE STATION PROJECT**  
**FOUNDATION DETAIL C1**

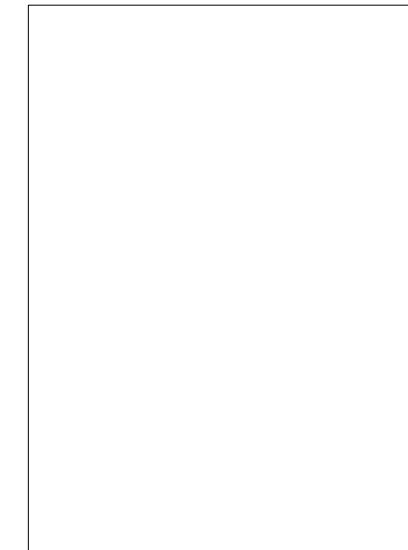
DRAWING NO.	S-12
SHEET NO.	1
OF	
CLIENT JOB NO.	

# Site Plan



## Legends

- Apparatus Bay
- Living Quarters
- ① Staff Parking
- ② Fire hydrant
- ③ Rainwater Tank
- ④ Generator
- ⑤ Fueling Station
- ⑥ Public Parking
- ⑦ Garbage Disposal
- ⑧ Basketball Court
- Retaining Wall
- ∧ Gate
- Bike Lane
- Security Fence
- Accessible Parking
- ▨ No Loading Zone



D:\Site Layout.dwg 04/24/2020 14:01

NO.	DESCRIPTION	DATE	APPROVED	SCALE
				DATE 03/16/2020
				PROJECT NO. 1
				DESIGNED BY
				DRAWN BY
				CHECKED BY

**Prestige Worldwide Engineering**  
Precision · Excellence · Quality

5500 Campanile Dr  
San Diego, California 92182  
T 619.594.5200 F 619.594.5200  
www.sdsu.edu

03/16/2020  
DATE

**The City of  
SAN DIEGO**  
Principles · Excellence · Quality

9573 CHESAPEAKE DR  
SAN DIEGO, CA 92123

APPROVED BY:

JOSEPH HORSEY  
PROJECT MANAGER

DATE

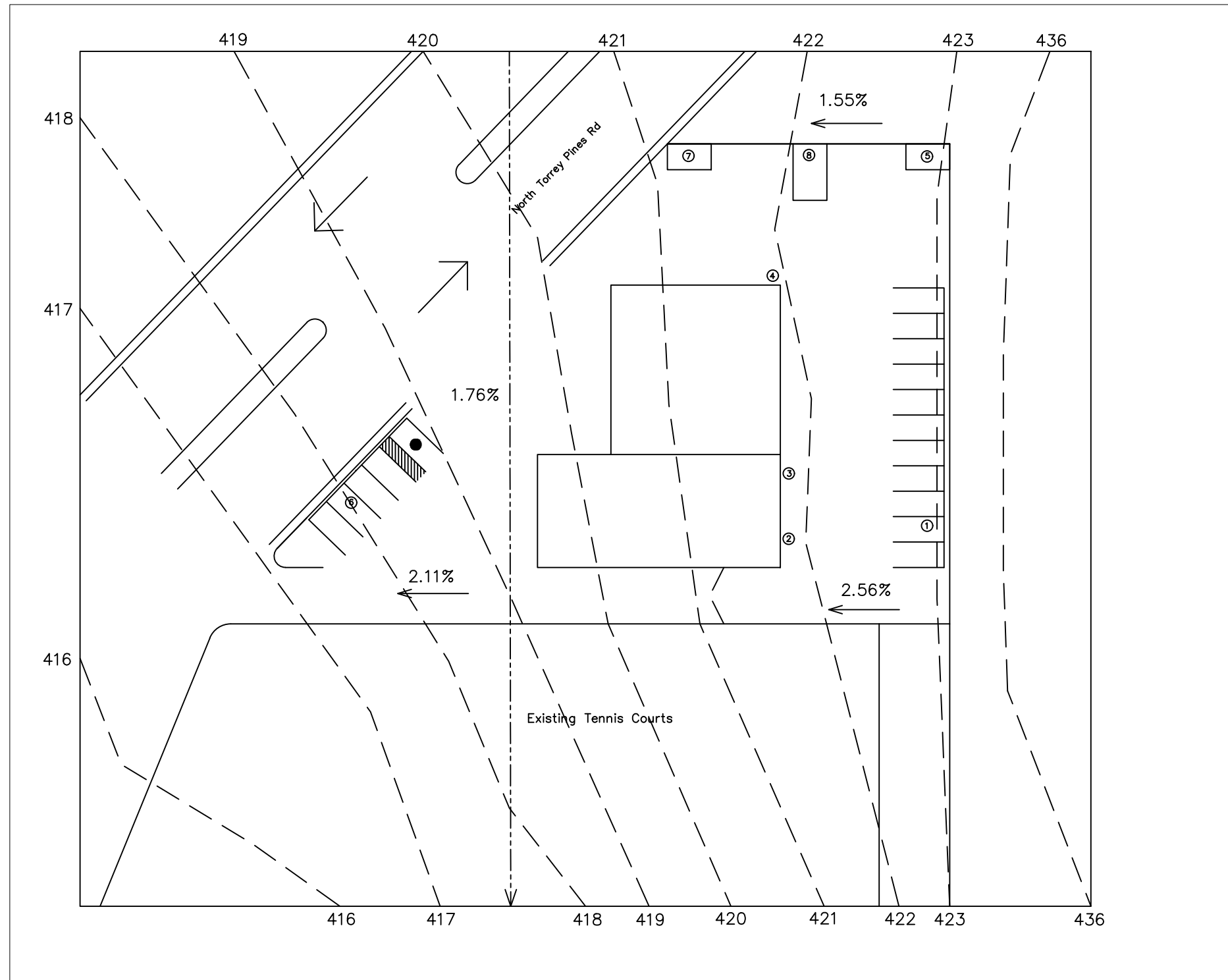
**UCSD - CITY SD FIRE STATION  
PROJECT**

**SITE LAYOUT**

DRAWING NO. <b>C-1</b>	SHEET NO.
	OF
CLIENT JOB NO. <b>1</b>	

# Grading and Drainage Plan

This project site incorporates many innovative and environmentally sensitive construction techniques. The grading and drainage layed the basework for them, which included calculating the total site watershed of a 100 year storm and designing a temporary retention facility for infiltration.




D:\Site Layout.dwg 04/24/2020 13:47

NO.	DESCRIPTION	DATE	APPROVED	SCALE
				DATE 03/16/2020
				PROJECT NO. 1
				DESIGNED BY
				DRAWN BY
				CHECKED BY

  
**Prestige Worldwide Engineering**  
Professional - Licensed - Quality  
 5500 Campanile Dr  
 San Diego, California 92182  
 T 619.594.5200 F 619.594.5200  
 www.sdsu.edu

03/16/2020  
DATE

  
**The City of SAN DIEGO**  
San Diego, California  
 9573 CHESAPEAKE DR  
 SAN DIEGO, CA 92123

APPROVED BY:

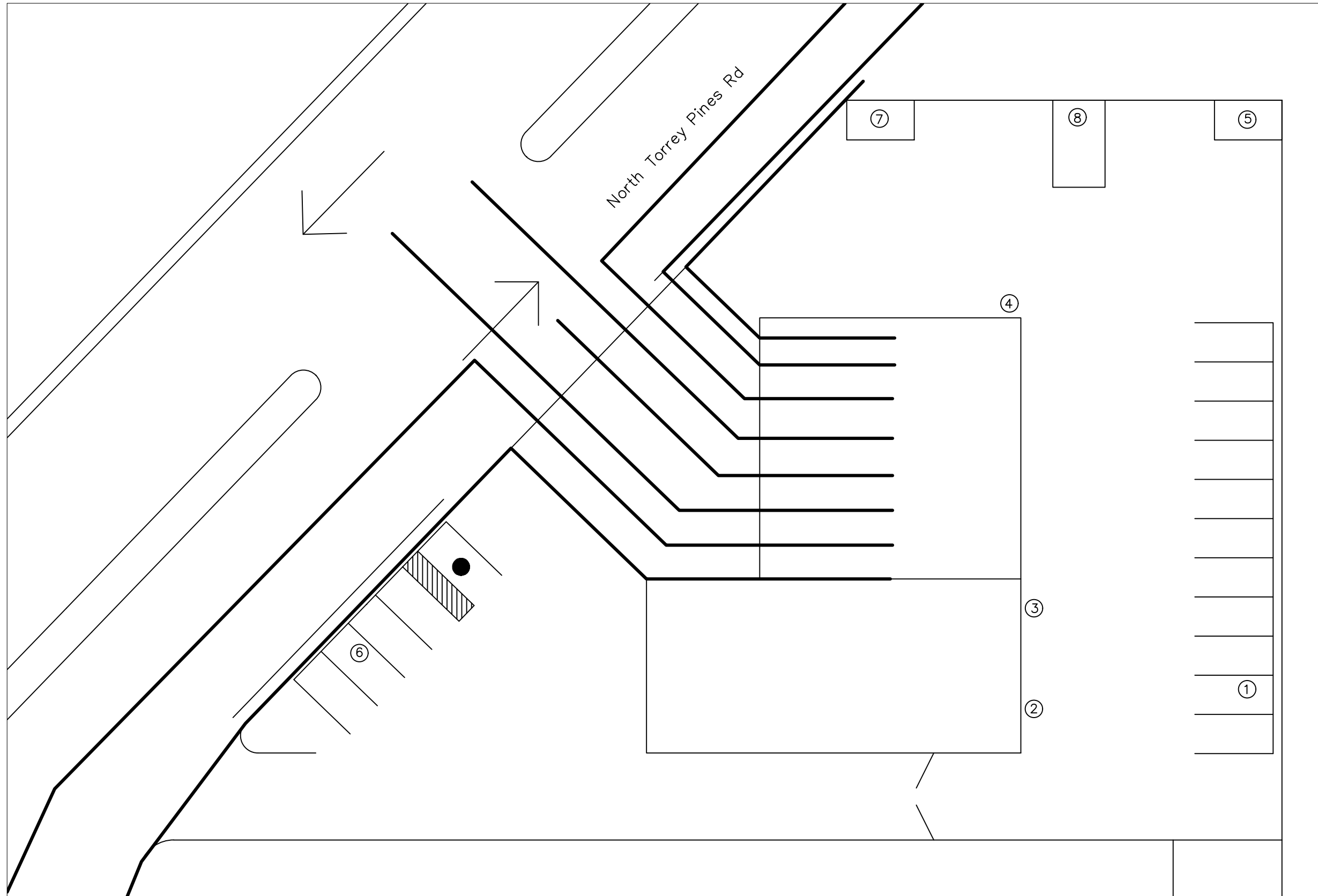
JOSEPH HORSEY  
PROJECT MANAGER

DATE

**UCSD - CITY SD FIRE STATION PROJECT**  
**GRADING AND DRAINAGE PLAN**

DRAWING NO. <b>C-2</b>
SHEET NO. OF
CLIENT JOB NO. <b>1</b>

# Utility Connections



Legend	
Utility Connections	
	Telecom (AT&T)
	Cox Cable
	Natural Gas
	Storm Water
	Water
	Sewer
	Electric
	Reclaimed Water

D:\Site Layout.dwg 04/24/2020 13:55

NO.	DESCRIPTION	DATE	APPROVED	SCALE
				DATE 03/16/2020
				PROJECT NO. 1
				DESIGNED BY
				DRAWN BY
				CHECKED BY

**Prestige Worldwide Engineering**
  
Precision · Excellence · Quality
  
 5500 Campanile Dr
   
 San Diego, California 92182
   
 T 619.594.5200 F 619.594.5200
   
 www.sdsu.edu

03/16/2020
   
 DATE

9573 CHESAPEAKE DR
   
 SAN DIEGO, CA 92123

APPROVED BY:
   
 JOSEPH HORSEY
   
 PROJECT MANAGER

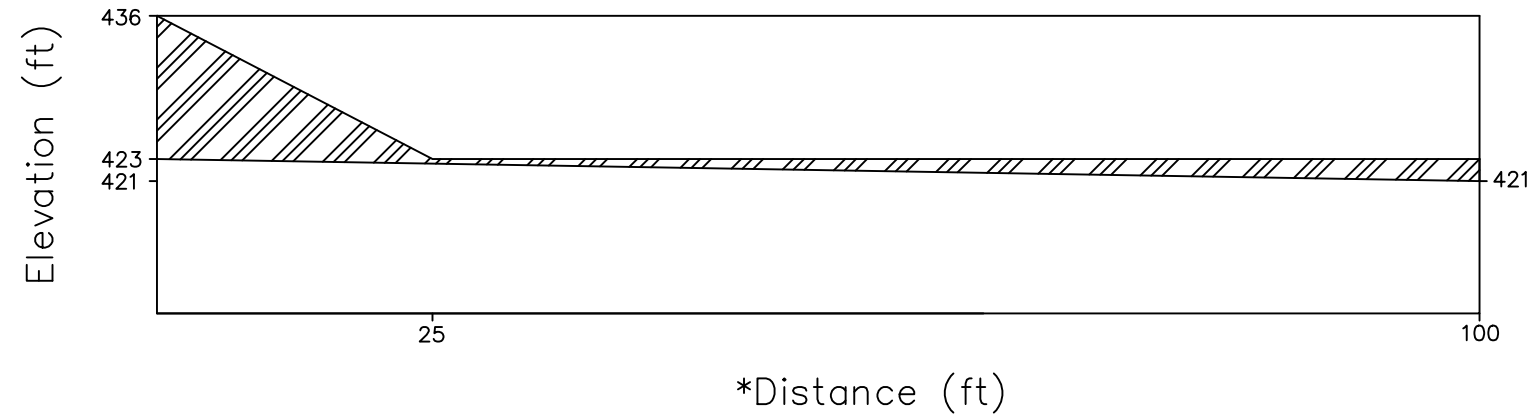
DATE

**UCSD - CITY SD FIRE STATION PROJECT**
  
**DRY UTILITY**

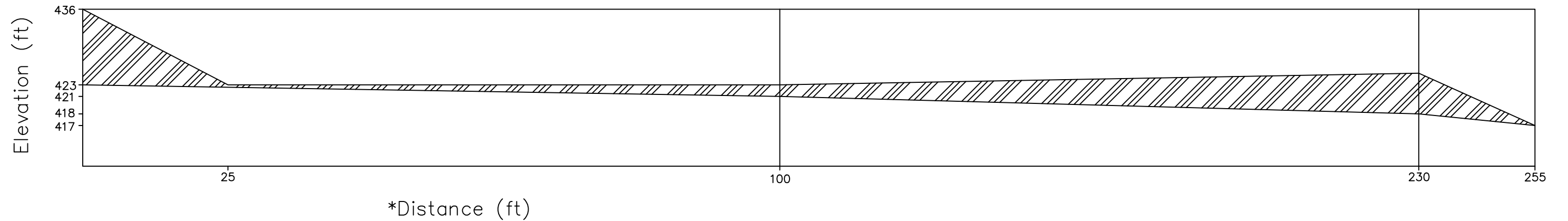
DRAWING NO.	<b>C-3</b>
SHEET NO.	
OF	
CLIENT JOB NO.	<b>1</b>

# Elevation Profile

North Edge





South Edge



 Cut    
  Retaining Wall    
  Existing elevation line

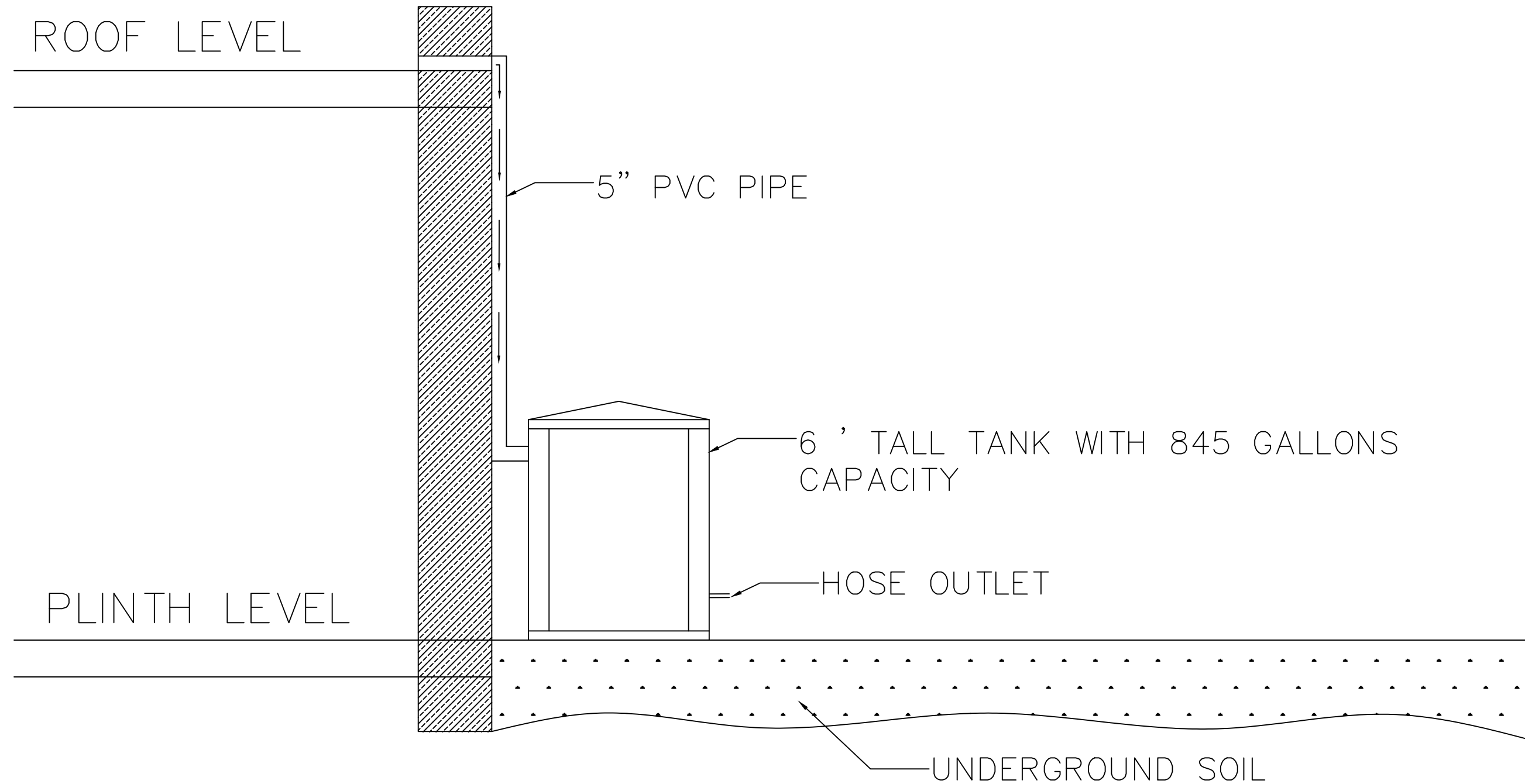
\*Linear Distance from proposed retaining wall

D:\Site Layout.dwg 04/24/2020 13:50

NO.	DESCRIPTION	DATE	APPROVED	SCALE	 5500 Campanile Dr San Diego, California 92182 T 619.594.5200 F 619.594.5200 www.sdsu.edu	 9573 CHESAPEAKE DR SAN DIEGO, CA 92123	<b>UCSD - CITY SD FIRE STATION PROJECT</b>	DRAWING NO.
				DATE				03/16/2020
				PROJECT NO.				SHEET NO.
				DESIGNED BY				OF
				DRAWN BY				CLIENT JOB NO.
				CHECKED BY				<b>1</b>
				DATE	03/16/2020	APPROVED BY:	<b>CUT AND FILL SECTION VIEW</b>	
						JOSEPH HORSEY PROJECT MANAGER		



# Rainwater Harvesting System




D:\Site Layout.dwg 04/24/2020 13:50

NO.	DESCRIPTION	DATE	APPROVED	SCALE
				DATE 03/16/2020
				PROJECT NO. 1
				DESIGNED BY
				DRAWN BY
				CHECKED BY


  
**Prestige Worldwide Engineering**
  
Precision · Excellence · Quality
  
 5500 Campanile Dr
   
 San Diego, California 92182
   
 T 619.594.5200 F 619.594.5200
   
 www.sdsu.edu

03/16/2020
   
DATE

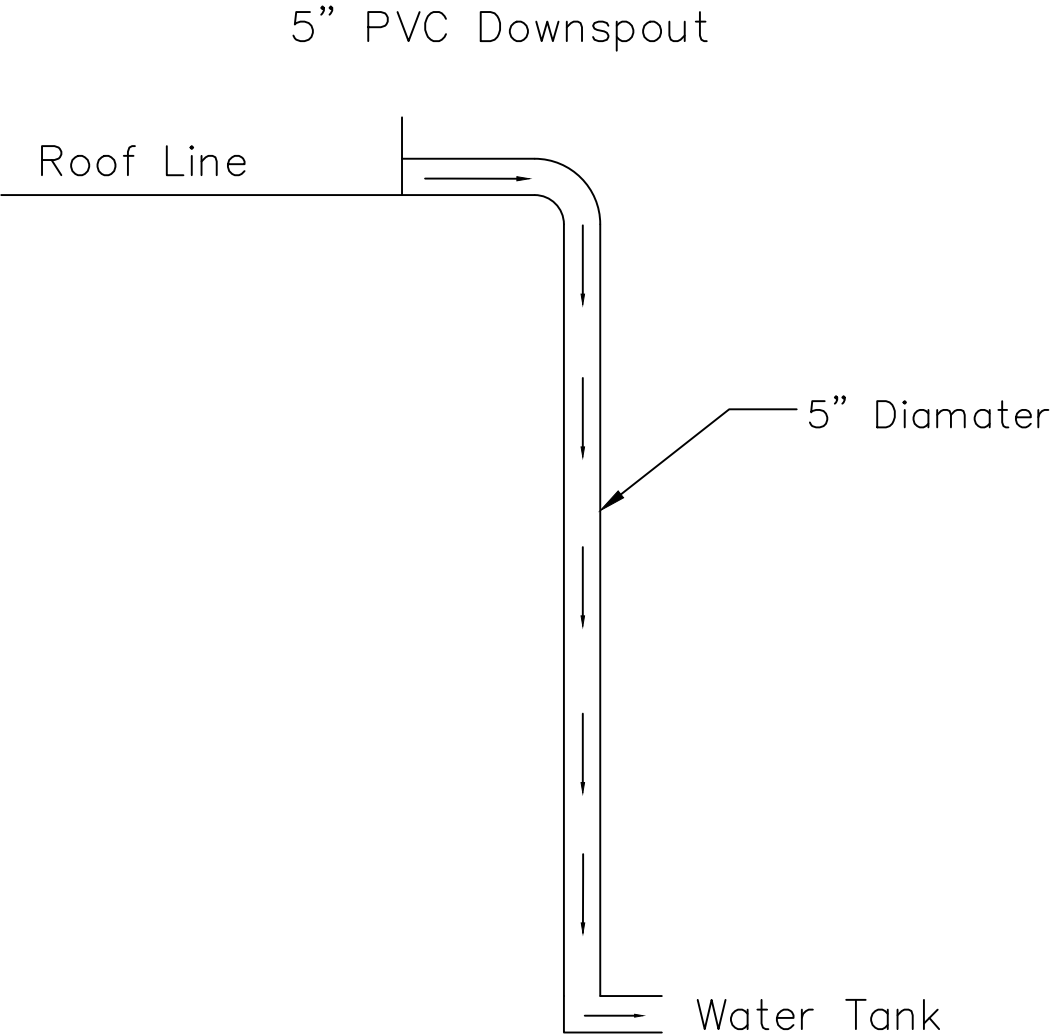

  
**The City of SAN DIEGO**
  
Precision · Excellence · Quality
  
 9573 CHESAPEAKE DR
   
 SAN DIEGO, CA 92123

APPROVED BY:
   
 JOSEPH HORSEY
   
PROJECT MANAGER
  
 DATE

**UCSD - CITY SD FIRE STATION PROJECT**
  
**RAINWATER TANK**

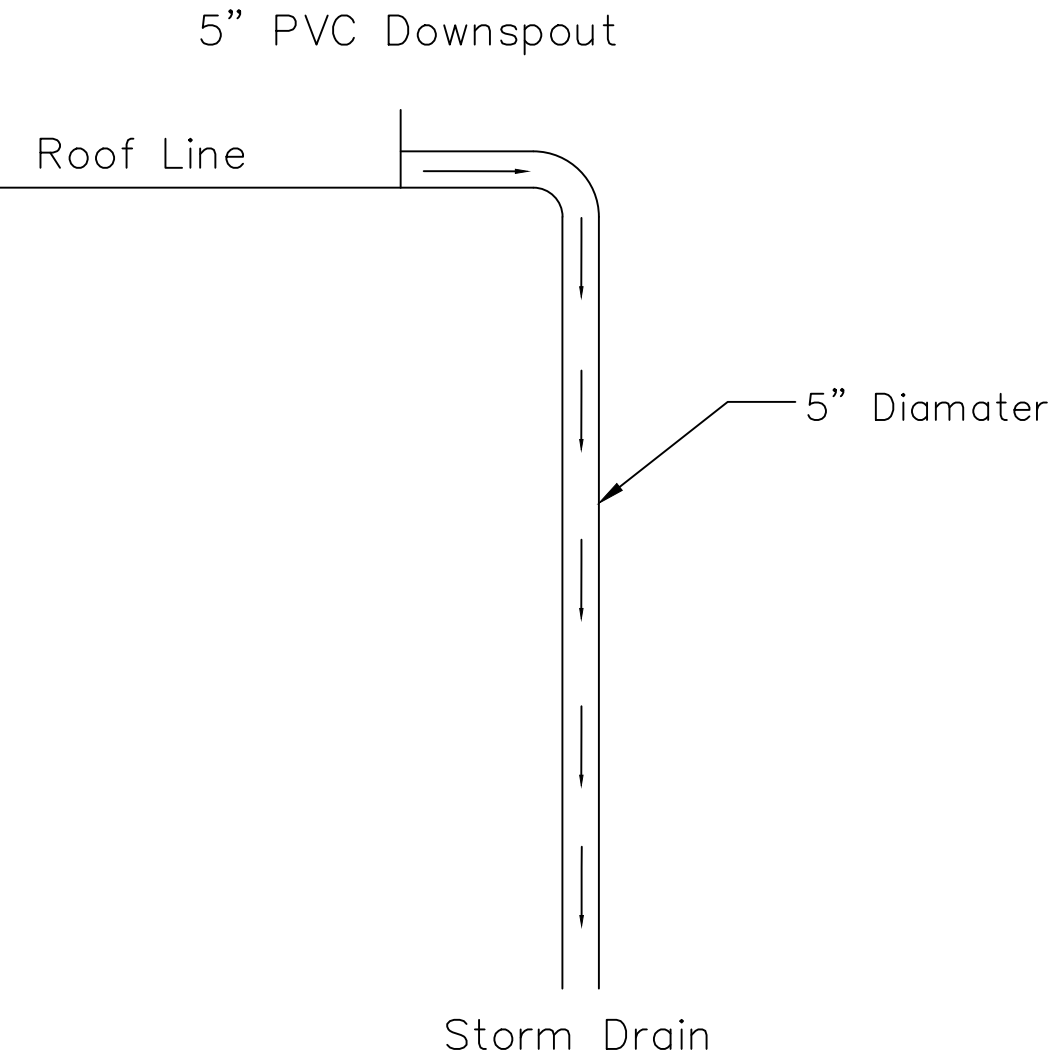
DRAWING NO.	<b>C-5</b>
SHEET NO.	
OF	
CLIENT JOB NO.	<b>1</b>

# Downspouts for Living Quarters



(1) Downspout will be located at the eastern side of Living Quarters building and leads to rainwater tank for harvesting.



Pipe has a downward length of 22 ft.



(1) Downspout will be located at the eastern side of Living Quarters building and leads to a storm drain.

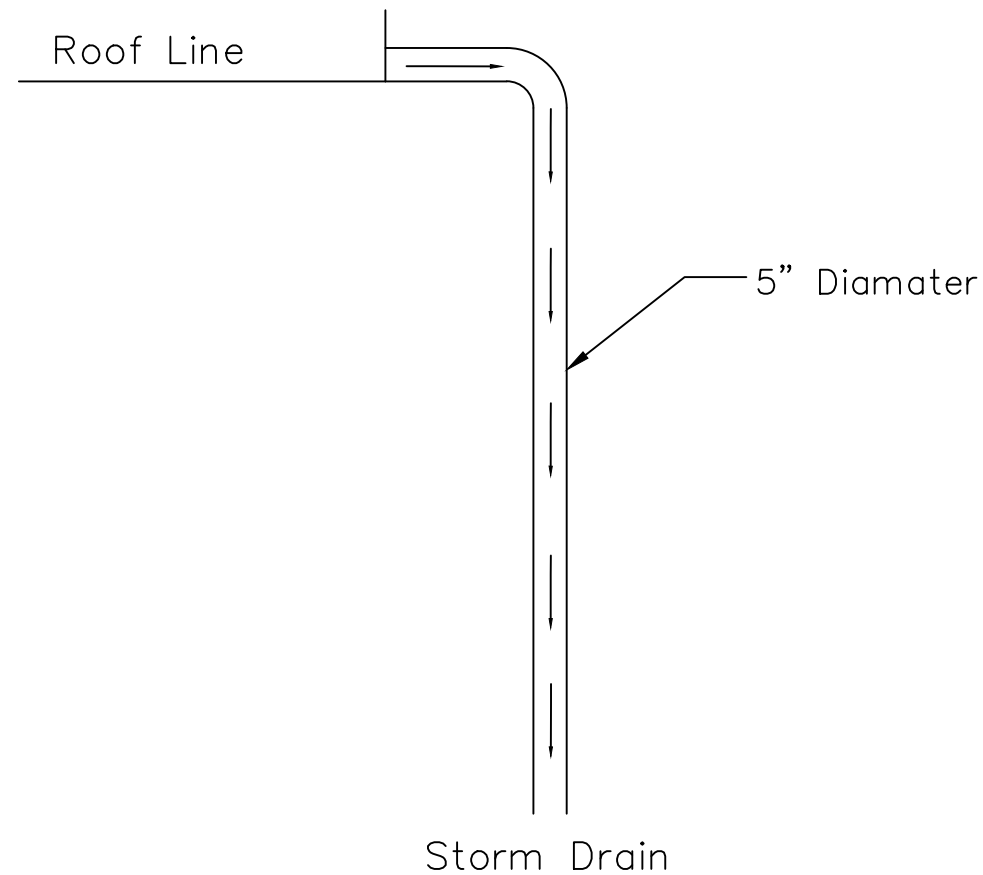
Pipe has a downward length of 28 ft.

D:\Site Layout.dwg 04/24/2020 13:50

NO.	DESCRIPTION	DATE	APPROVED	SCALE	 5500 Campanile Dr San Diego, California 92182 T 619.594.5200 F 619.594.5200 www.sdsu.edu	 9573 CHESAPEAKE DR SAN DIEGO, CA 92123	<b>UCSD - CITY SD FIRE STATION PROJECT</b>	DRAWING NO.
				DATE				03/16/2020
				PROJECT NO.				SHEET NO.
				DESIGNED BY				OF
				DRAWN BY				CLIENT JOB NO.
				CHECKED BY				<b>1</b>
				DATE	03/16/2020	APPROVED BY:		<b>LQ DOWNSPOUTS</b>
						JOSEPH HORSEY PROJECT MANAGER		

# Downspouts for Apparatus Bay

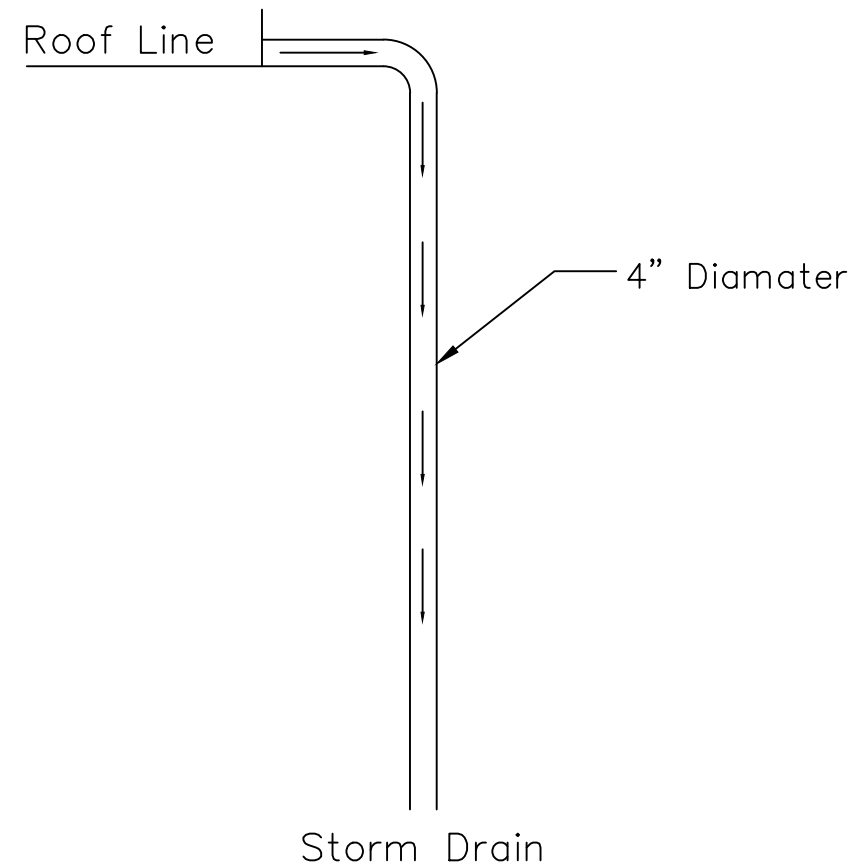
5" PVC Downspout



(1) Downspout will be located at the eastern side of Apparatus Bay building and leads to a storm drain.

Pipe has a downward length of 28 ft.



4" PVC Downspout



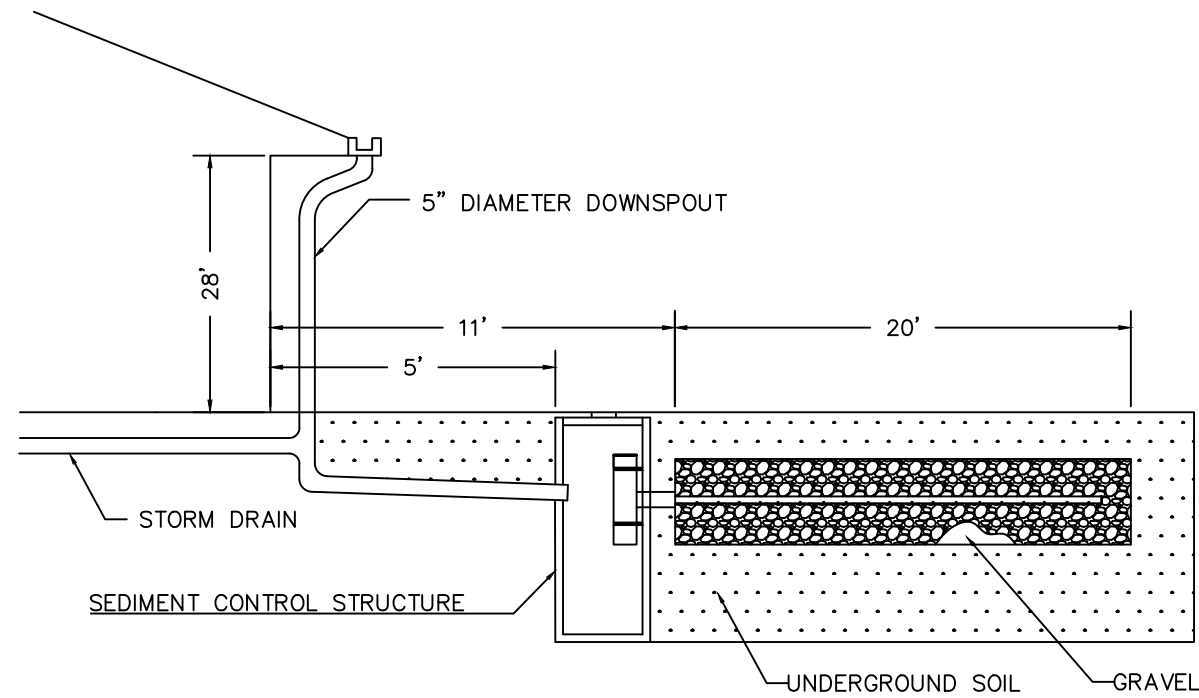
(2) Downspouts will be located at the northern side of Apparatus Bay building and each (1) leads to a storm drain.

Pipe has a downward length of 28 ft.

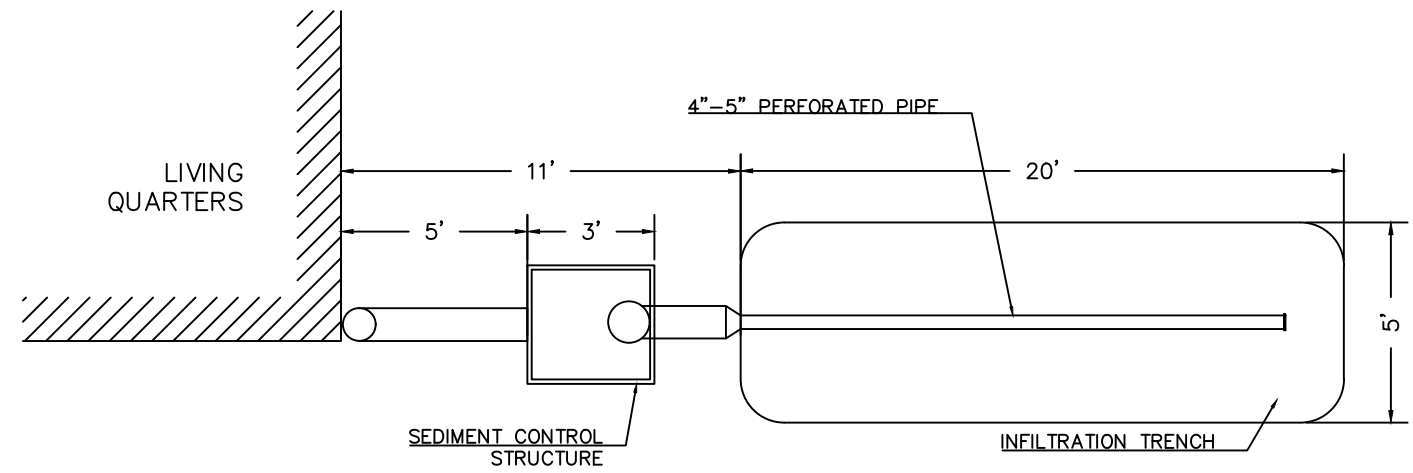
D:\Site Layout.dwg 04/24/2020 13:50

NO.	DESCRIPTION	DATE	APPROVED	SCALE	 5500 Campanile Dr San Diego, California 92182 T 619.594.5200 F 619.594.5200 www.sdsu.edu	 9573 CHESAPEAKE DR SAN DIEGO, CA 92123	<b>UCSD - CITY SD FIRE STATION PROJECT</b>	DRAWING NO.		
				DATE				03/16/2020		<b>C-7</b>
				PROJECT NO.				1		SHEET NO.
				DESIGNED BY						OF
				DRAWN BY						CLIENT JOB NO.
				CHECKED BY				<b>1</b>		
				DATE	03/16/2020	APPROVED BY:	<b>AB DOWNSPOUTS</b>			
						JOSEPH HORSEY PROJECT MANAGER				

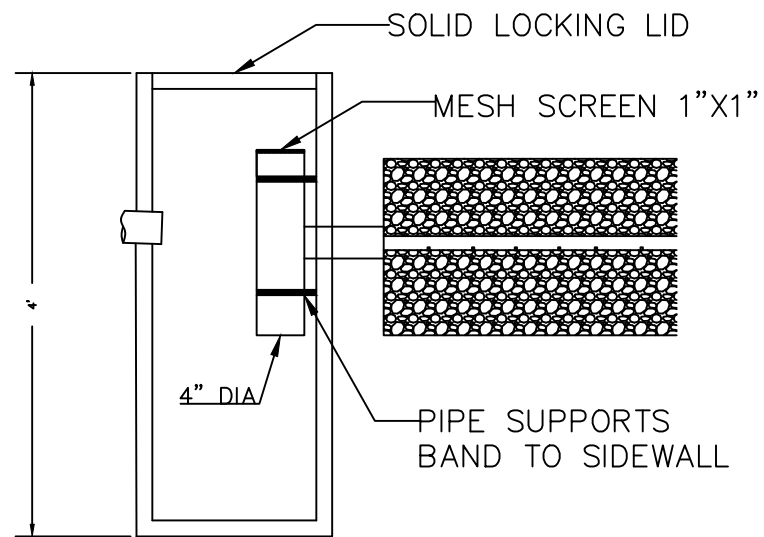
# PROFILE



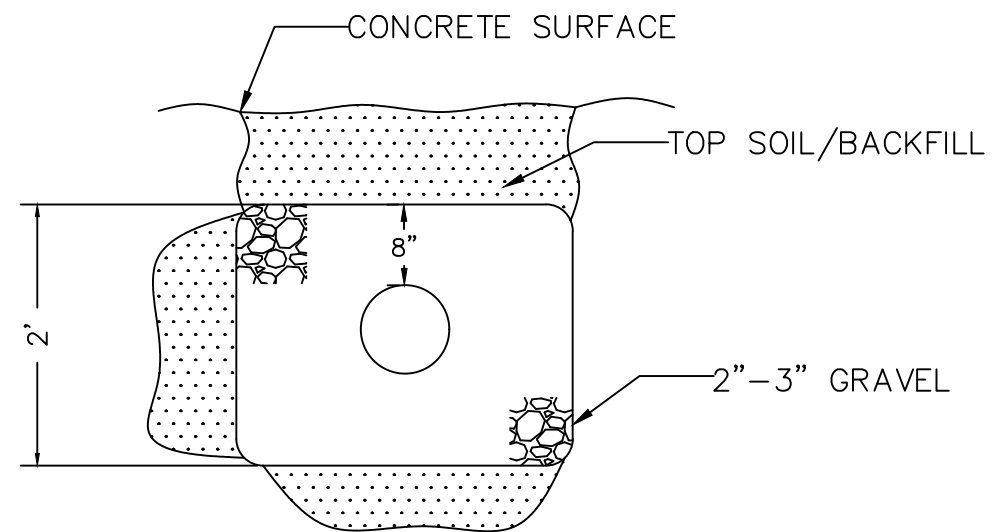
# PLAN VIEW



# CATCH BASIN SECTION



# TRENCH SECTION



NO.	DESCRIPTION	DATE	APPROVED	SCALE
				DATE
				03/16/2020
				PROJECT NO.
				1
				DESIGNED BY
				DRAWN BY
				CHECKED BY

**Prestige Worldwide Engineering**  
Professional - Excellent - Quality

5500 Campanile Dr  
 San Diego, California 92182  
 T 619.594.5200 F 619.594.5200  
 www.sdsu.edu

The City of **SAN DIEGO**

9573 CHESAPEAKE DR  
 SAN DIEGO, CA 92123

APPROVED BY: \_\_\_\_\_ DATE \_\_\_\_\_

JOSEPH HORSEY  
 PROJECT MANAGER

**UCSD - CITY SD FIRE STATION PROJECT**

**SEDIMENT CONTROL BASIN PLAN**

DRAWING NO. **C-8**

SHEET NO. \_\_\_\_\_ OF \_\_\_\_\_

CLIENT JOB NO. **1**

D:\Site Layout.dwg 04/24/2020 13:50