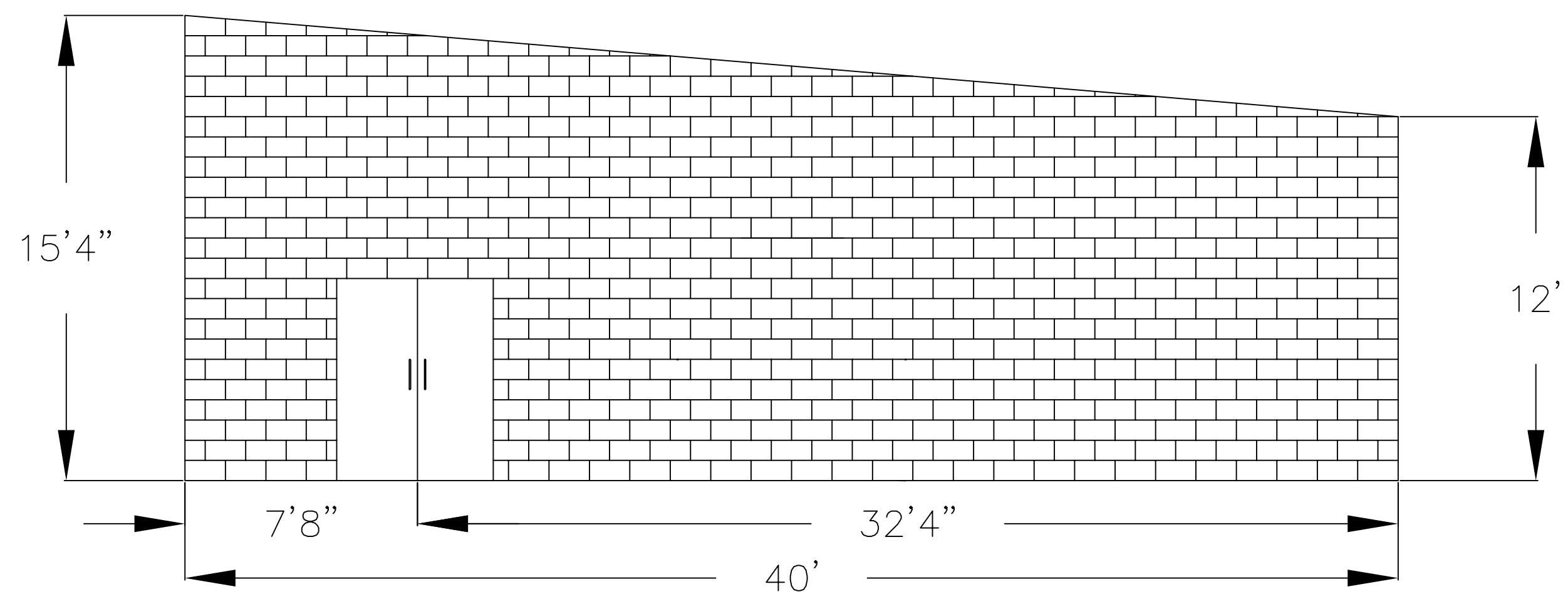
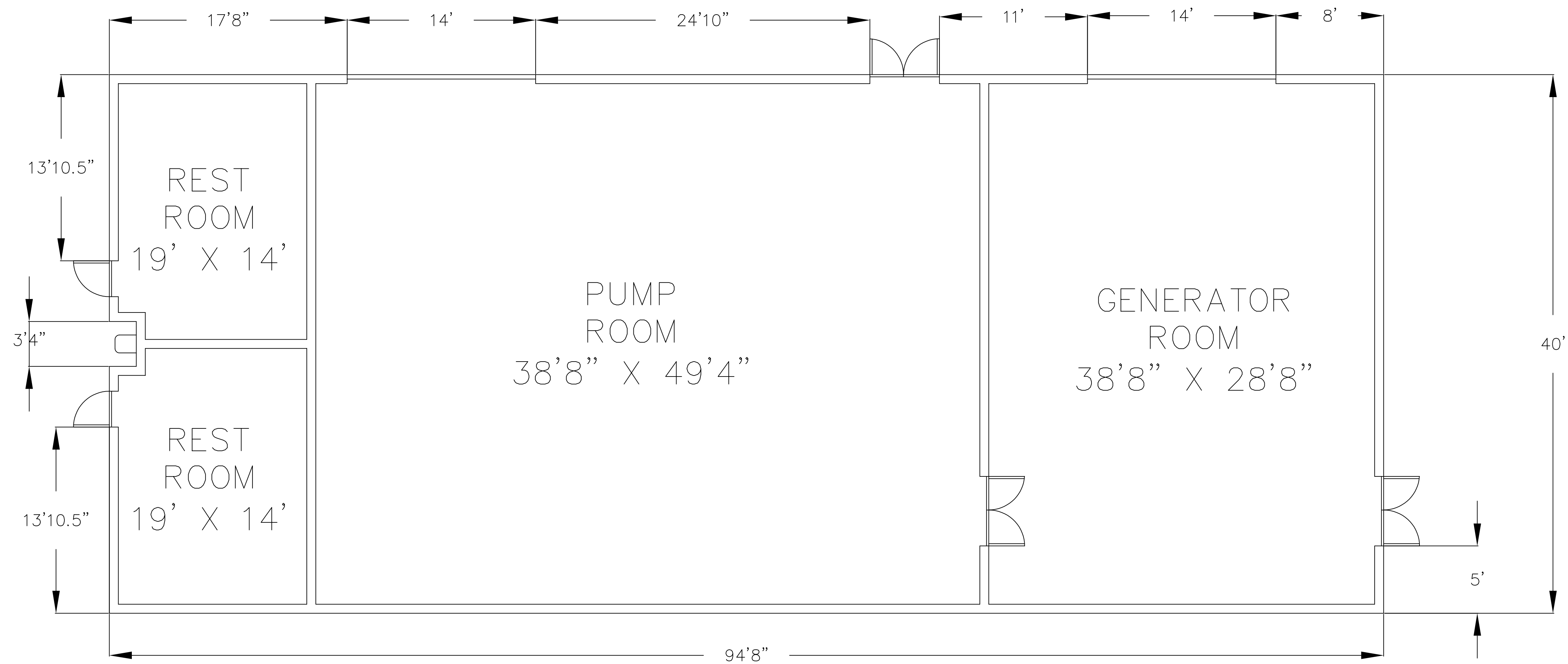
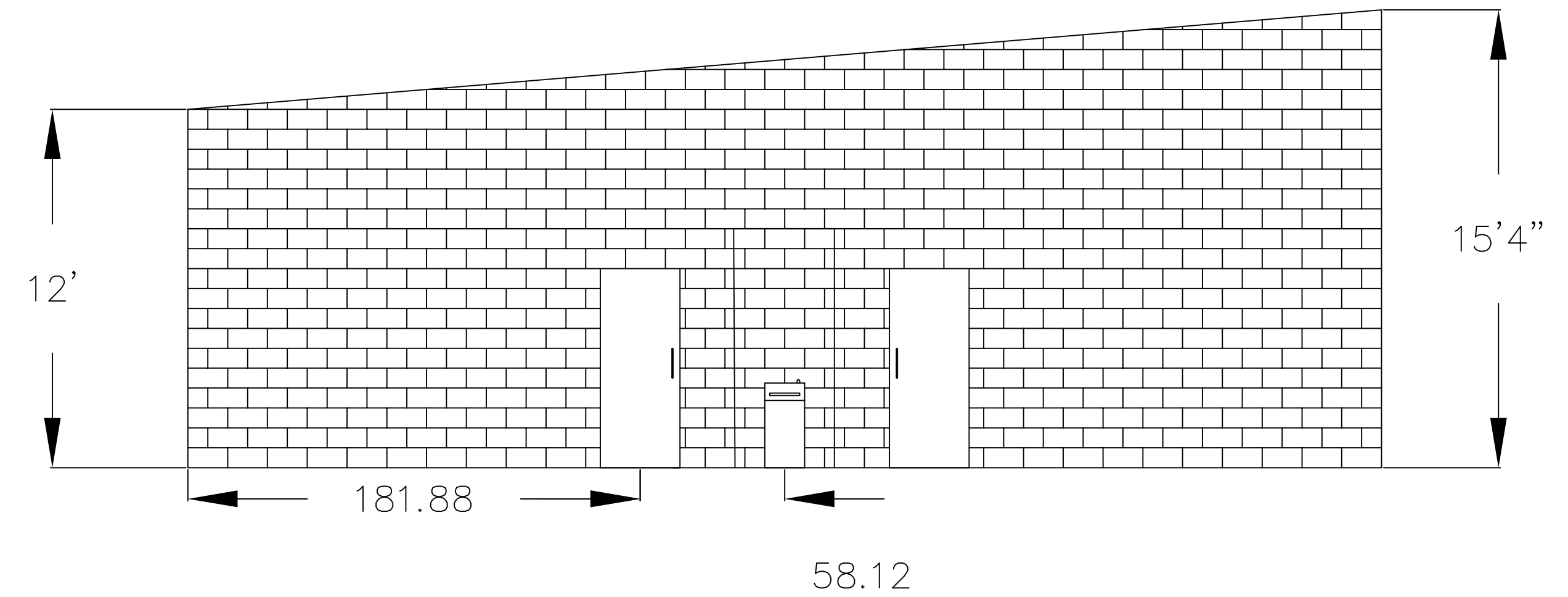


ELEVATION — SOUTH

	ELEVATIONS FOR MFRO BOOSTER PUMP STATION
	SCALE: N/A
	DESIGN BY: N. SCHLUETER
	DRAWN BY: N. SCHLUETER
	APPROVED BY: T. PATRICK
	DATE: 03/26/2021

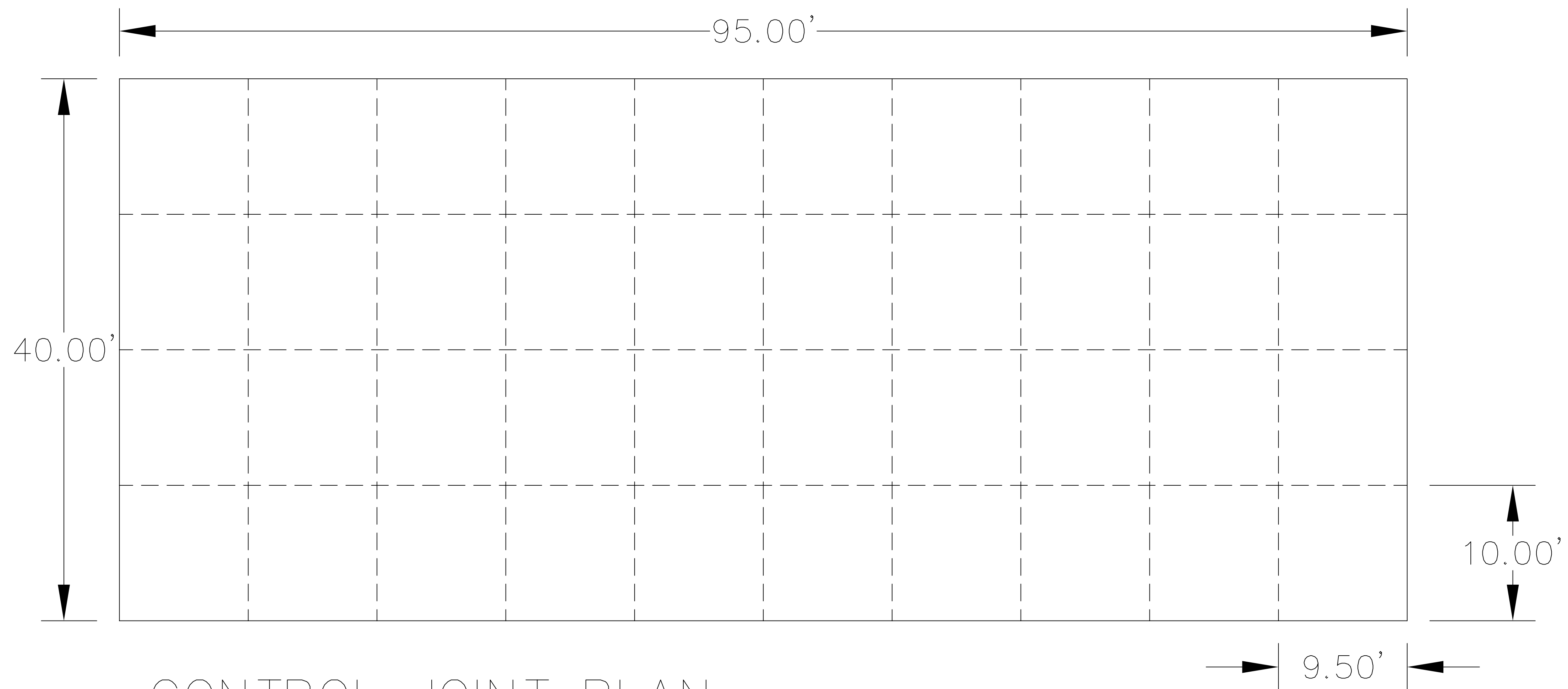


ELEVATION - EAST

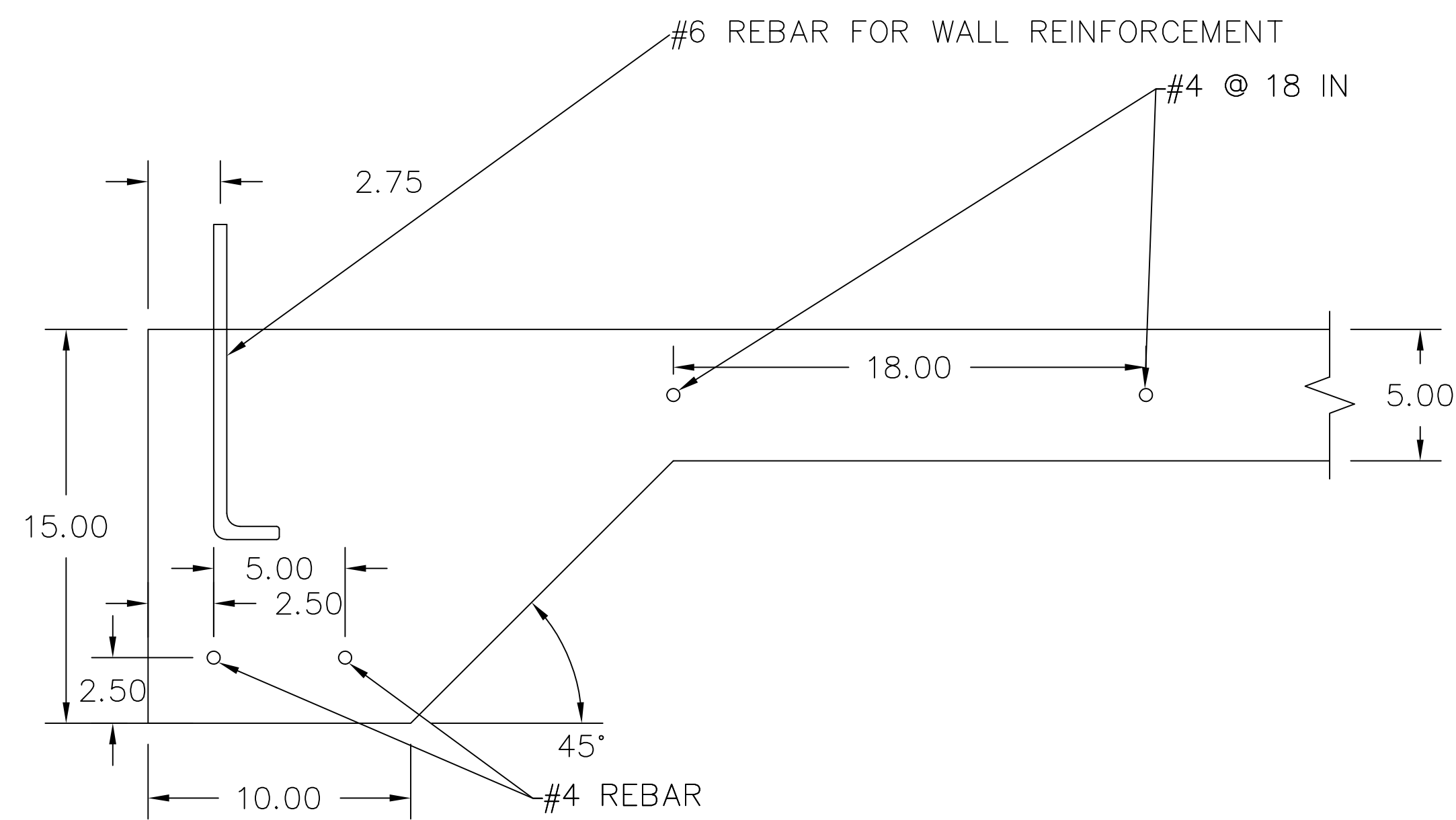


ELEVATION - WEST

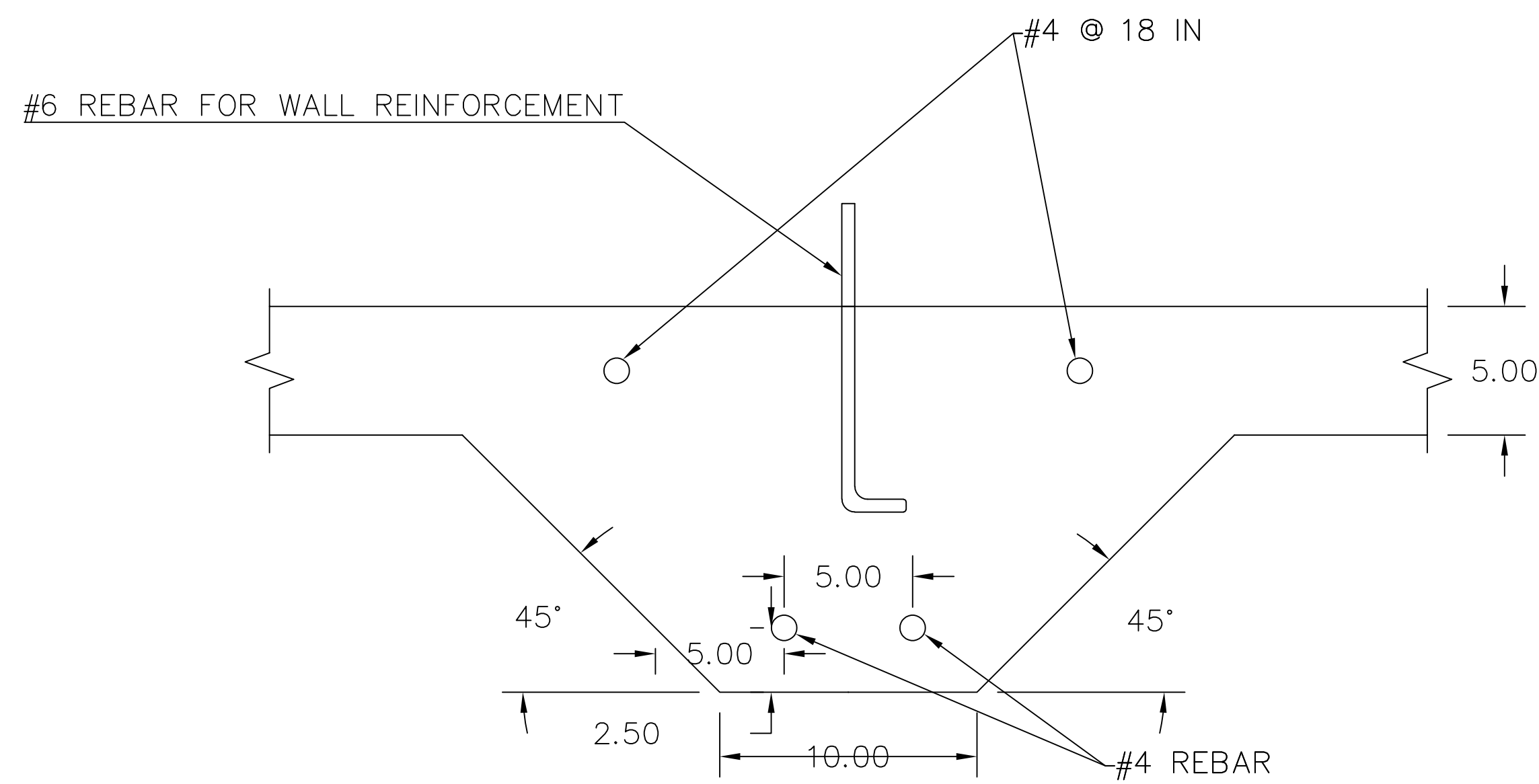
	PLAN VIEW FOR MFRO BOOSTER PUMP STATION
	SCALE: N/A
	DESIGN BY: N. SCHLUETER
	DRAWN BY: N. SCHLUETER
	APPROVED BY: T. PATRICK
	DATE: 03/36/2021



CONTROL JOINT PLAN



EDGE WALL SECTION



CENTER WALL SECTION

	FOUNDATION PLAN FOR MFRO BOOSTER PUMP STATION
	SCALE: N/A
	DESIGN BY: N. SCHLUETER
	DRAWN BY: N. SCHLUETER
	APPROVED BY: T. PATRICK
	DATE: 03/26/2021